



PK Electrical, Inc.
 Engineering · Design · Consulting
 681 Sierra Rose Drive, Suite B
 Reno, NV 89511 | 775.826.9010
 4601 DTC Boulevard, Suite 740
 Denver, CO 80237 | 720.481.3290
 pkelectrical.com

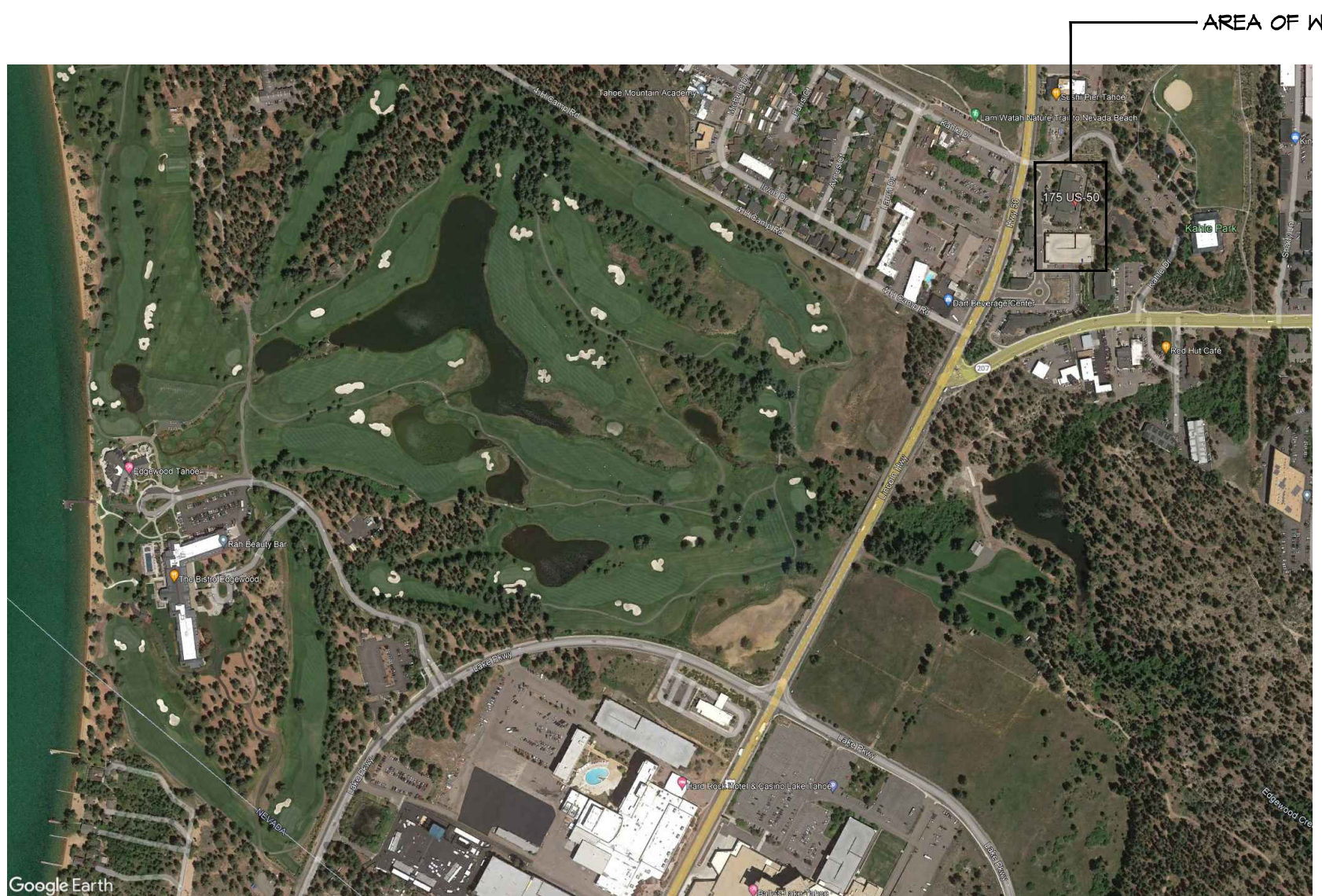
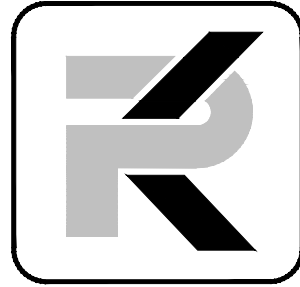
NOT FOR
 CONSTRUCTION

DOUGLAS COUNTY JAIL VIDEO SURVEILLANCE CAMERA UPGRADE

175 Highway 50
 Stateline, NV 89449

100% Owner Review Set
 February 27, 2023

Tahoe Justice Court / Jail
 Surveillance Camera Addition
 175 Highway 50
 Stateline, NV 89449

DESIGN CRITERIA	OWNER	DRAWING SCHEDULE																																													
<div data-bbox="360 1136 882 1269" style="border: 1px solid black; padding: 5px;"> <p>APPLICABLE CODES AND REGULATIONS</p> <p>2018 INTERNATIONAL BUILDING CODE 2018 INTERNATIONAL FIRE CODE 2017 NATIONAL ELECTRIC CODE 2018 INTERNATIONAL ENERGY CONSERVATION CODE CURRENT NORTHERN NEVADA AMENDMENTS</p> </div>	<p>DOUGLAS COUNTY 1594 Esmeralda Avenue Minden, NV 89423</p> <p>Scott McCullough Project Manager Douglas County</p>	<table border="1" data-bbox="2038 1160 2719 1627"> <thead> <tr> <th colspan="3">DRAWING SCHEDULE</th> </tr> <tr> <th>SHEET</th> <th>DESCRIPTION</th> <th></th> </tr> </thead> <tbody> <tr> <td>G0.1</td> <td>COVER SHEET AND DRAWING SCHEDULE</td> <td>●</td> </tr> <tr> <td>TS0.1</td> <td>VIDEO SURVEILLANCE GENERAL NOTES, LEGEND AND WORK PHASING REQUIREMENTS</td> <td>●</td> </tr> <tr> <td>TS0.2</td> <td>CAMERA AND EQUIPMENT SCHEDULES 1 OF 2</td> <td>●</td> </tr> <tr> <td>TS0.3</td> <td>CAMERA AND EQUIPMENT SCHEDULES 2 OF 2</td> <td>●</td> </tr> <tr> <td>TS0.4</td> <td>VIDEO SURVEILLANCE ONLINE DIAGRAM</td> <td>●</td> </tr> <tr> <td>TS0.5</td> <td>CONTROL ROOM AND PROPERTY STORAGE ROOM ENLARGED PLANS</td> <td>●</td> </tr> <tr> <td>TS0.6</td> <td>EQUIPMENT CABINET ELEVATION</td> <td>●</td> </tr> <tr> <td>TS0.7</td> <td>CAMERA MOUNTING DETAILS</td> <td>●</td> </tr> <tr> <td>TS1.1</td> <td>1ST FLOOR CAMERA PLAN - DEMOLITION</td> <td>●</td> </tr> <tr> <td>TS1.2</td> <td>2ND FLOOR CAMERA PLAN - DEMOLITION</td> <td>●</td> </tr> <tr> <td>TS2.1</td> <td>1ST FLOOR CAMERA PLAN - NEW WORK</td> <td>●</td> </tr> <tr> <td>TS2.2</td> <td>2ND FLOOR CAMERA PLAN - NEW WORK</td> <td>●</td> </tr> <tr> <td colspan="2">TOTAL SHEETS IN ISSUE:</td> <td>12</td> </tr> </tbody> </table>	DRAWING SCHEDULE			SHEET	DESCRIPTION		G0.1	COVER SHEET AND DRAWING SCHEDULE	●	TS0.1	VIDEO SURVEILLANCE GENERAL NOTES, LEGEND AND WORK PHASING REQUIREMENTS	●	TS0.2	CAMERA AND EQUIPMENT SCHEDULES 1 OF 2	●	TS0.3	CAMERA AND EQUIPMENT SCHEDULES 2 OF 2	●	TS0.4	VIDEO SURVEILLANCE ONLINE DIAGRAM	●	TS0.5	CONTROL ROOM AND PROPERTY STORAGE ROOM ENLARGED PLANS	●	TS0.6	EQUIPMENT CABINET ELEVATION	●	TS0.7	CAMERA MOUNTING DETAILS	●	TS1.1	1ST FLOOR CAMERA PLAN - DEMOLITION	●	TS1.2	2ND FLOOR CAMERA PLAN - DEMOLITION	●	TS2.1	1ST FLOOR CAMERA PLAN - NEW WORK	●	TS2.2	2ND FLOOR CAMERA PLAN - NEW WORK	●	TOTAL SHEETS IN ISSUE:		12
DRAWING SCHEDULE																																															
SHEET	DESCRIPTION																																														
G0.1	COVER SHEET AND DRAWING SCHEDULE	●																																													
TS0.1	VIDEO SURVEILLANCE GENERAL NOTES, LEGEND AND WORK PHASING REQUIREMENTS	●																																													
TS0.2	CAMERA AND EQUIPMENT SCHEDULES 1 OF 2	●																																													
TS0.3	CAMERA AND EQUIPMENT SCHEDULES 2 OF 2	●																																													
TS0.4	VIDEO SURVEILLANCE ONLINE DIAGRAM	●																																													
TS0.5	CONTROL ROOM AND PROPERTY STORAGE ROOM ENLARGED PLANS	●																																													
TS0.6	EQUIPMENT CABINET ELEVATION	●																																													
TS0.7	CAMERA MOUNTING DETAILS	●																																													
TS1.1	1ST FLOOR CAMERA PLAN - DEMOLITION	●																																													
TS1.2	2ND FLOOR CAMERA PLAN - DEMOLITION	●																																													
TS2.1	1ST FLOOR CAMERA PLAN - NEW WORK	●																																													
TS2.2	2ND FLOOR CAMERA PLAN - NEW WORK	●																																													
TOTAL SHEETS IN ISSUE:		12																																													
<p>SITE MAP</p>	<p>ELECTRICAL / SECURITY CONSULTANT</p>																																														
	<div data-bbox="1223 1479 1733 1606" style="text-align: center;">  <p>PK Electrical, Inc. <i>Engineering · Design · Consulting</i></p> <p><small>681 Sierra Rose Drive, Suite B Reno, NV 89511 775.826.9010 4601 DTC Boulevard, Suite 740 Denver, CO 80237 720.481.3290 pkelectrical.com</small></p> </div>	<table border="1" data-bbox="2841 1473 2994 1882"> <thead> <tr> <th colspan="2">REVISIONS</th> </tr> </thead> <tbody> <tr><td> </td><td> </td></tr> <tr><td> </td><td> </td></tr> <tr><td> </td><td> </td></tr> <tr><td> </td><td> </td></tr> <tr><td> </td><td> </td></tr> </tbody> </table> <p>SHEET TITLE COVER SHEET</p> <p>DRAWN: BC CHECKED: JEG DATE: 2/21/2023 JOB NUMBER: 22089 PROJECT MGR: BC</p>	REVISIONS																																												
REVISIONS																																															

VIDEO SURVEILLANCE SYSTEM GENERAL NOTES

ITEM	DESCRIPTION
1.	DESCRIPTION OF WORK: INSTALL A COMPLETE AND OPERATIONAL VIDEO SURVEILLANCE SYSTEM INCLUDING CAMERAS, CAMERA MOUNTS, RACEWAY, CABLING, CONTROL ROOM WORKSTATIONS, CONTROL ROOM MONITORS, SECURITY DESK WORKSTATION, LOCKABLE TELECOM ROOM EQUIPMENT CABINET, VIDEO RECORDING SERVER, NETWORK SWITCHES, UNINTERRUPTIBLE POWER SUPPLIES, SOFTWARE, LICENSING AND SYSTEM CONFIGURATION.
2.	STANDARDS AND CODES: ALL VIDEO SURVEILLANCE WORK SHALL BE INSTALLED IN ACCORDANCE WITH THE NATIONAL ELECTRIC CODE (NEC) AND THE DIVISION 27 AND DIVISION 28 SPECIFICATIONS.
3.	CONTRACTOR LICENSING, CERTIFICATION AND EXPERIENCE: CONTRACTOR INSTALLING THE ACCESS CONTROL SYSTEM SHALL BE A FIRM NORMALLY ENGAGED IN THE INSTALLATION, MAINTENANCE AND SUPPORT OF SECURITY AND VIDEO SURVEILLANCE SYSTEMS. CONTRACTOR MUST HAVE A MINIMUM OF 5-YEARS EXPERIENCE INSTALLING VIDEO SURVEILLANCE SYSTEMS OF SIMILAR SIZE AND SCOPE. CONTRACTOR INSTALLING THE SECURITY SYSTEMS SHALL BE AN AVIGILON CERTIFIED PARTNER AND SHALL BE AN AUTHORIZED AVIGILON DEALER. CONTRACTOR SHALL MAINTAIN A 24/7 CALL CENTER AND SHALL RESPOND WITHIN FOUR (4) BUSINESS HOURS OF RECEIPT OF A SERVICE CALL. CONTRACTOR SHALL PROVIDE ON-SITE RESPONSE TIME OF ONE (1) BUSINESS DAY FOR REPAIR OF CRITICAL SYSTEM ITEMS DURING NORMAL BUSINESS HOURS. THE CONTRACTOR SHALL PROVIDE ALL EQUIPMENT, MATERIALS, TOOLS AND TRAINED PERSONNEL TO PERFORM ALL REPAIRS. SEE SPECIFICATIONS FOR ADDITIONAL CONTRACTOR QUALIFICATION REQUIREMENTS.
4.	GENERAL REQUIREMENTS: INCLUDE ALL LABOR, MATERIALS, EQUIPMENT, TOOLS, TRANSPORTATION, STORAGE COSTS, TRAINING, INSURANCE, TEMPORARY PROTECTION, PERMITS, INSPECTIONS, TAXES AND ALL NECESSARY AND RELATED ITEMS REQUIRED TO PROVIDE A COMPLETE AND OPERATIONAL VIDEO SURVEILLANCE SYSTEM AS SHOWN ON THE DRAWINGS AND DESCRIBED IN THE SPECIFICATIONS. INFORMATION SHOWN ON THE DRAWINGS IS DIAGRAMMATIC. FIELD VERIFY ALL DIMENSIONS, LOCATIONS, AND LAYOUT. DO NOT SCALE THE PLANS FOR RACEWAY, OUTLET OR EQUIPMENT LOCATIONS.
5.	EXAMINATION OF SITE: BEFORE SUBMITTING A PROPOSAL, THE CONTRACTOR SHALL EXAMINE THE SITE AND BECOME FAMILIAR WITH THE EXISTING CONDITIONS AND LIMITATIONS. NO EXTRAS WILL BE ALLOWED BECAUSE OF THE CONTRACTOR'S MISUNDERSTANDING OF THE AMOUNT OF WORK INVOLVED OR LACK OF KNOWLEDGE OF ANY SITE CONDITIONS WHICH MAY AFFECT THE WORK. ANY APPARENT VARIANCE OF THE DRAWINGS OR SPECIFICATIONS FROM THE EXISTING CONDITIONS AT THE SITE SHALL BE CALLED TO THE ATTENTION OF THE ENGINEER BEFORE SUBMITTING A PROPOSAL.
6.	SUBMITTALS: SUBMIT MANUFACTURER DATA SHEETS FOR ALL EQUIPMENT, CABLING AND SOFTWARE. SUBMIT SHOP DRAWINGS FOR APPROVAL INCLUDING POINT-TO-POINT WIRING AND PANEL BLOCK DIAGRAMS SHOWING ALL DEVICES AND REQUIRED CABLING.
7.	RACEWAY: INSTALL, SUPPORT AND SEISMIC BRACE ALL RACEWAY. THIS INCLUDES BUT IS NOT LIMITED TO ALL CONDUIT, OUTLET BOXES, PULL BOXES, J-HOOKS, SLEEVES, ETC. CONDUIT INSTALLED EXPOSED IN INMATE ACCESSIBLE AREAS SHALL BE RIGID STEEL (RMC OR IMC). PAINT CONDUIT TO MATCH ADJACENT WALL/CEILING SURFACES. OUTDOOR CONDUIT SHALL BE RIGID STEEL (RMC OR IMC). PAINT CONDUIT TO MATCH ADJACENT WALL/CEILING SURFACES. EXTERIOR UNDERGROUND CONDUIT SHALL BE SCHEDULE 40 P.V.C. UNDERGROUND TO ABOVE GRADE CONDUIT TRANSITIONS SHALL BE VINYL COATED RIGID STEEL. CONDUIT ROUTED ON THE EXTERIOR OF THE BUILDING SHALL BE RIGID STEEL. EXTERIOR PULL BOXES SHALL BE NEMA 3R. INSTALL PULL STRING IN ALL CONDUIT. INSTALL RACEWAY PERPENDICULAR TO BUILDING GRID LINES UNLESS OTHERWISE NOTED.
8.	RACEWAY SHALL BE INSTALLED SO THAT THE FOLLOWING MINIMUM CLEAR DISTANCES ARE MAINTAINED FROM SOURCES OF ELECTRO-MAGNETIC INTERFERENCE (EMI), 6" CLEAR FROM POWER CABLES, 12" CLEAR FROM FLUORESCENT LIGHTING AND 36" CLEAR FROM TRANSFORMERS AND MOTORS.
9.	CUTTING AND PATCHING: PROVIDE ALL CUTTINGS, PATCHING, CORING AND ASSOCIATED WORK TO COMPLETE THE VIDEO SURVEILLANCE CAMERA MOUNTING AND CABLING PATHWAY SYSTEM. PROTECT EXISTING FINISHES FROM WATER DAMAGE DURING CORE/CUTTING WORK AND CLEANUP ALL RELATED WATER AND DEBRIS. PATCH ADJACENT WORK DISTURBED BY INSTALLATION OF NEW WORK INCLUDING INSULATION, WALLS AND WALL COVERING, CEILING AND FLOOR COVERING OR OTHER FINISHED SURFACES.
10.	FIRESTOPPING: SEAL ALL PENETRATIONS THROUGH RATED WALLS AND FLOORS WITH UL LISTED FIRE STOPPING ASSEMBLIES. FIRE STOPPING ASSEMBLIES SHALL MEET OR EXCEED THE RATING OF THE WALL OR FLOOR BEING PENETRATED.
11.	GROUNDING AND BONDING: BOND EQUIPMENT CABINETS AND ENCLOSURES TO GROUND BAR IN TELECOM ROOM W/ #2 GREEN INSULATED GROUND CONDUCTOR. CABLING AND TERMINATIONS: ALL CAT 6 CABLING FROM THE CAMERAS TO THE TELECOM ROOM SHALL BE ROUTED CONCEALED ABOVE ACCESSIBLE CEILING SPACES, WITHIN VERTICAL WALL CHASES OR ROUTED IN CONDUIT. NO EXPOSED CABLING IS PERMITTED. ALL CABLING SHALL BE PLENUM RATED (CMP). CABLING ROUTED IN UNDERGROUND OR UNDER SLAB CONDUIT SHALL WATER RESISTANT OSP RATED OR INDOOR/OUTDOOR RATED (CMR/CMX). CAT 6 CABLING FOR SURVEILLANCE CAMERAS TO BE INSTALLED, TERMINATED AND TESTED IN ACCORDANCE WITH THE DIV 27 SPECS. NO SPLICES ARE PERMITTED IN ANY CABLING UNLESS EXPLICITLY SHOWN ON THE DRAWINGS. INSTALL CABLE WITH NO VISIBLE DEFECTS INCLUDING KINKS, TWISTS, CUTS, BURNS, ETC. CONTRACTOR SHALL REMOVE AND REPLACE DEFECTIVE CABLES. THE MAXIMUM CABLE LENGTH BETWEEN THE CAMERA AND THE TERMINATION PATCH PANEL IN THE TELECOM ROOM IS 245 FEET. PROVIDE ETHERNET EXTENDERS IN THE MID-POINT OF THE CABLE WHERE CABLE LENGTHS EXCEED 245 FEET.
12.	CABLE LABELING, TESTING AND CERTIFICATION: LABEL ALL CABLES AT EACH END AND AT PULL BOX LOCATIONS. LABELS SHOULD INDICATE THE TERMINATION LOCATION AT THE OPPOSITE END. LABEL ALL RACK MOUNTED EQUIPMENT INDICATING ITS FUNCTION. LABEL ALL EQUIPMENT WITH ETHERNET CONNECTIONS WITH THE IP ADDRESS AND MAC ADDRESS OF THE DEVICE. TEST AND CERTIFY ALL CABLING. CAT 6 CABLING FOR THE VIDEO SURVEILLANCE CAMERAS SHALL BE TESTED AND CERTIFIED IN ACCORDANCE WITH THE DIVISION 27 SPECIFICATIONS.
13.	SUPERVISION OF WORK: ALL WORK SHALL BE SUPERVISED ON A DAILY BASIS BY A SUPERVISOR HAVING A MINIMUM OF FIVE (5) YEARS EXPERIENCE IN THE INSTALLATION OF COMMERCIAL SECURITY SYSTEMS.
14.	CCTV CAMERAS: AT THE START OF THE PROJECT, PROVIDE A SPREADSHEET TO THE DOUGLAS COUNTY IT DEPARTMENT INDICATING THE CAMERA NUMBER AND HARDWARE MAC ADDRESS SO THAT IP ADDRESSES CAN BE PROVIDED FOR ALL CAMERAS. PROVIDE THE MAC ADDRESS OF SERVER NIC CARD(S) AND POE SWITCH MANAGEMENT PORTS SO THAT IP ADDRESSES CAN BE ASSIGNED. FURNISH AND INSTALL CCTV CAMERAS AS SHOWN ON THE DRAWINGS AND DESCRIBED IN THE DIVISION 28 SPECIFICATIONS. MOUNT, SECURE, AIM, FOCUS, ADJUST, CONNECT TO THE NETWORK, ASSIGN IP ADDRESSES, TEST, COMMISSION AND DEMONSTRATE ALL CAMERAS. VERIFY MOUNTING, ACCESSIBILITY AND CLEARANCE REQUIREMENTS AT EACH CCTV CAMERA LOCATION. MAKE MINOR ADJUSTMENTS TO CAMERA LOCATIONS TO ACCOMMODATE EXISTING CEILING CONDITIONS AND OVERHEAD CLEARANCES ISSUES INCLUDING LIGHTS, HVAC DUCTS, HVAC REGISTERS, SPRINKLER PIPING, SPRINKLER HEADS, SPEAKERS, EXIT SIGNS, ETC. DOWNLOAD THE LATEST CAMERA FIRMWARE VERSION FROM THE MANUFACTURER'S WEBSITE AND INSTALL ON ALL CAMERAS.
15.	VIDEO RECORDING SERVER: PROVIDE, INSTALL AND CONFIGURE VIDEO RECORDING SERVER HARDWARE, WINDOWS SERVER OPERATING SYSTEM SOFTWARE AND AVIGILON VIDEO MANAGEMENT SYSTEM (VMS) SOFTWARE. INSTALL LATEST FIRMWARE UPDATES AND SERVICE PACKS ON THE SERVER. INSTALL CAMERA LICENSES ON THE SERVER. COORDINATE WINDOWS DOMAIN REQUIREMENTS, SECURITY REQUIREMENTS AND ACCOUNT NAMES/PASSWORDS WITH DOUGLAS COUNTY IT.
16.	CONTROL ROOM WORKSTATIONS AND MONITORS: PROVIDE, INSTALL AND CONFIGURE CONTROL ROOM AND ENTRY SECURITY DESK WORKSTATIONS AND MONITORS. PROVIDE AND INSTALL MOUNTS FOR CEILING MOUNTED MONITORS. INSTALL AVIGILON CLIENT VIEWING AND MANAGEMENT SOFTWARE ON ALL CONTROL ROOM WORKSTATIONS. COORDINATE WINDOWS DOMAIN REQUIREMENTS, SECURITY REQUIREMENTS AND ACCOUNT NAMES/PASSWORDS WITH DOUGLAS COUNTY IT.
17.	VIDEO SURVEILLANCE SYSTEM TESTING AND COMMISSIONING: TEST, COMMISSION AND DEMONSTRATE THE VIDEO SURVEILLANCE CAMERAS AND RELATED VIDEO MANAGEMENT SOFTWARE AT THE COMPLETION OF THE PROJECT. TESTING AND COMMISSIONING INCLUDES BUT IS NOT LIMITED TO THE FOLLOWING: VERIFY CAMERA LICENSES ARE INSTALLED ON THE RECORDING SERVERS, VERIFY CAMERAS ARE MOUNTED PROPERLY AND SECURED, VERIFY CAMERAS HAVE BEEN ASSIGNED A PROPER IP ADDRESS AND ARE COMMUNICATING WITH THE RECORDING SERVERS, VERIFY CAMERAS ARE CONFIGURED TO RECORD TO THE VIDEO RECORDING SERVER, VERIFY FRAME RATES AND COMPRESSION ARE CONFIGURED PER THE SPECIFICATIONS, VERIFY CAMERAS ARE AIMED AND FOCUSED, VERIFY CAMERAS ARE CONFIGURED FOR BOTH DAY AND NIGHT USE, VERIFY CURRENT FIRMWARE IS INSTALLED ON CAMERAS, VERIFY CAMERAS ARE NAMED PROPERLY ON THE SERVERS, VERIFY ALL SOFTWARE AND CAMERAS ARE SECURED WITH USER ACCOUNTS AND PASSWORDS AS REQUIRED BY DOUGLAS COUNTY IT, VERIFY AVIGILON "CLIENT" SOFTWARE HAS BEEN INSTALLED AND CONFIGURED ON ALL WORKSTATIONS. PROVIDE FOUR (4) HOURS OF TRAINING TO THE OWNER COVERING THE USE AND OPERATION OF THE CAMERAS, VIDEO MANAGEMENT SERVER SOFTWARE AND CLIENT VIEWING SOFTWARE. PROVIDE SYSTEM DOCUMENTATION AND O&M MANUALS IN ELECTRONIC PDF FORMAT.
18.	GUARANTEE: THE COMPLETE VIDEO SURVEILLANCE SYSTEM INCLUDING CAMERAS, CABLING, SERVERS, NETWORK SWITCHES AND PROGRAMMING SHALL BE GUARANTEED TO BE FREE FROM DEFECTS IN WORKMANSHIP AND MATERIALS FOR A MINIMUM PERIOD OF ONE (1) YEAR FROM DATE OF SUBSTANTIAL COMPLETION. PROMPTLY REMEDY SUCH DEFECTS AND ANY SUBSEQUENT DAMAGE CAUSED BY THE DEFECTS OR REPAIR THEREOF AT NO EXPENSE TO THE OWNER. SEE INDIVIDUAL SPECIFICATION SECTIONS FOR ADDITIONAL AND/OR EXTENDED WARRANTY REQUIREMENTS.
19.	SUBSTANTIAL COMPLETION: THE FOLLOWING ARE PREREQUISITES FOR SUBSTANTIAL COMPLETION OF THE VIDEO SURVEILLANCE SYSTEM: ALL WORK COMPLETED IN ACCORDANCE WITH THE DRAWINGS AND SPECIFICATIONS, SYSTEM PROGRAMMING COMPLETED, TESTING AND COMMISSIONING COMPLETED, PUNCH LIST ITEMS COMPLETED AND SIGNED OFF, SYSTEM DEMONSTRATION AND OWNER TRAINING COMPLETED, AS-BUILT DRAWINGS SUBMITTED, MANUFACTURER'S OPERATION AND MAINTENANCE MANUALS SUBMITTED, MANUFACTURER'S WARRANTY AND CONTRACTOR'S GUARANTEE SUBMITTED, EXTRA STOCK ITEMS TURNED OVER TO THE OWNER.

RACEWAY LEGEND

SYMBOL	DESCRIPTION
—	CONDUIT, SIZE AS INDICATED ON DRAWINGS
----	CONDUIT UNDERGROUND OR IN SLAB
—	CONDUIT STUB OUT WITH BUSHING.
— —	HORIZONTAL OR VERTICAL SLEEVE WITH BUSHINGS.
— — —	CONDUIT UP OR DOWN.
— J — J —	J-HOOKS (WHERE SPECIFIC ROUTING REQUIRED)
— — — —	CABLE TRAY OR LADDER RACK, SIZE INDICATED ON DWGS
— — — —	WIRE BASKET TRAY, SIZE INDICATED ON DWGS.
— — — —	VERTICAL LADDER RACK.
○	CONDUIT OR SLEEVE STUB UP.

ELECTRICAL LEGEND

—	PANELBOARD: SURFACE MOUNTED
⊕	SINGLE RECEPTACLE: 20A, 125V, NEMA 5-20, #12 AFF (UNO)
Ⓢ	SHEET NOTE DESIGNATION
Δ	REVISION DELTA: NUMBER REPRESENTS REVISION
—	BRANCH CIRCUIT (WHEN TIC MARKS ARE NOT SHOWN) = (1) PHASE, (1) NEUTRAL AND (1) GROUNDING CONDUCTOR. #12 CU CONDUCTORS UNLESS NOTED OTHERWISE (UNO)
▲	HOMERUN TO PANELBOARD OR DEVICE, #12 CU UNO
HA-(1,3,5,9)G	HOMERUN CIRCUIT DESIGNATION
—	GROUNDING CONDUCTOR
—	NEUTRAL CONDUCTOR (N=1, 2N=2 NEUTRALS, 3N=3 NEUTRALS)
—	PHASE CONDUCTOR(S)
—	PANELBOARD DESIGNATION
HA-(1,3,5)G	HOMERUN CIRCUIT DESIGNATION (3 PHASE CIRCUIT SHOWN)
—	GROUNDING CONDUCTOR
—	PHASE CONDUCTOR(S)
—	PANELBOARD DESIGNATION

CCTV SYSTEM LEGEND

SYMBOL	DESCRIPTION
Ⓢ	FIXED DOME CAMERA.
Ⓢ	CEILING CORNER MOUNT ANTI-LIGATURE CAMERA.
Ⓢ	4-WAY MULTI-SENSOR DOME CAMERA.
Ⓢ	3-WAY MULTI-SENSOR DOME CAMERA.
Ⓢ	CEILING MOUNTED MICROPHONE WITH LINE AUDIO PIGTAIL TO CAMERA 3.5 MM JACK.
NVR	NETWORK VIDEO RECORDER (RACK MOUNTED).
SWITCH	24-PORT POE+ SWITCH (RACK MOUNTED).
48 P	48-PORT CAT 6 PATCH PANEL (RACK MOUNTED).
12V PS	8-PORT 120VAC TO 12VDC POWER SUPPLY (RACK MOUNTED).
FPD	FLAT PANEL DISPLAY.
VVWS	VIDEO VIEWING WORKSTATION WITH FLAT PANEL DISPLAY(S).
UPS	UNINTERRUPTIBLE POWER SUPPLY.
▽	TELECOM OUTLET WITH CAT 6 NETWORK DROPS. SEE PLANS FOR QTY OF CAT 6 CABLE DROPS AT EACH OUTLET.
100	2" HIGH X 12" WIDE X 1/4" THICK WALL MOUNTED COPPER BUS BAR WITH INSULATED STANDOFFS.

VIDEO INTERCOM LEGEND

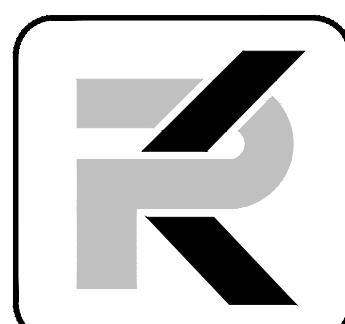
SYMBOL	DESCRIPTION
Ⓢ	PEDESTAL MOUNTED VIDEO INTERCOM WITH RAIN HOOD.
Ⓢ	DESK MOUNTED VIDEO INTERCOM MASTER STATION WITH DOOR RELEASE PUSH BUTTON.
Ⓢ	120VAC TO 24VDC POWER SUPPLY.

PROJECT PHASING REQUIREMENTS

ITEM	DESCRIPTION
1.	THE EXISTING CAMERA SYSTEM MUST REMAIN OPERATIONAL UNTIL THE NEW CAMERA SYSTEM IS INSTALLED AND FULLY OPERATIONAL.
2.	PROVIDE ALL MATERIAL AND EQUIPMENT SUBMITTALS FOR REVIEW AND APPROVAL. PROCURE ALL APPROVED MATERIALS AND EQUIPMENT.
3.	OBTAIN IP ADDRESS SCHEME FOR ALL VIDEO SURVEILLANCE CAMERAS, RECORDING SERVERS, CLIENT VIEWING WORKSTATIONS AND NETWORK SWITCHES FROM DOUGLAS COUNTY IT STAFF. ASSIGN IP ADDRESSES TO ALL DEVICES AND EQUIPMENT.
4.	CORE CONCRETE AND CMU WALLS AS NECESSARY FOR CABLE ROUTING.
5.	INSTALL J-HOOK PATHWAYS IN ACCESSIBLE CEILING SPACES FOR CAT 6 CABLING. INSTALL CONDUIT PATHWAY TO CAMERA LOCATIONS WHERE REQUIRED.
6.	INSTALL NEW DEDICATED 20A ELECTRICAL OUTLETS AND WALL MOUNTED COPPER BUS BAR IN PROPERTY STORAGE ROOM.
7.	INSTALL AND ANCHOR NEW FLOOR MOUNTED EQUIPMENT CABINET IN PROPERTY STORAGE ROOM.
8.	INSTALL CAT 6 CABLING FROM NEW CAMERA LOCATIONS TO PROPERTY STORAGE ROOM. INSTALL CAT 6 CABLING FROM NEW CONTROL ROOM WORKSTATIONS TO PROPERTY STORAGE ROOM.
9.	INSTALL AND CONFIGURE RACK MOUNTED 24-PORT POE+ NETWORK SWITCHES, NETWORK VIDEO RECORDERS AND UPS'S IN PROPERTY STORAGE ROOM CABINET. INSTALL CAMERA LICENSES ON NVR.
10.	INSTALL, CONNECT TO THE NETWORK AND CONFIGURE NEW VIDEO VIEWING WORKSTATIONS IN JAIL CONTROL ROOM. INSTALL AND CONFIGURE AVIGILON CLIENT CAMERA VIEWING SOFTWARE ON COMPUTERS AND CONFIGURE.
11.	INSTALL AND MOUNT ALL NEW CAMERAS. CONNECT CAMERAS TO THE NETWORK SWITCHES, AIM, FOCUS AND ADJUST NEW CAMERAS.
12.	CONFIGURE VIDEO ANALYTICS ON CAMERAS AS REQUIRED BY THE SPECIFICATIONS.
13.	REMOVE EXISTING CEILING MOUNTED CONTROL ROOM MONITORS AND REPLACE WITH NEW CEILING MOUNTED MONITORS. CONNECT NEW MONITORS TO CONTROL ROOM VIDEO VIEWING WORKSTATIONS WITH HDMI/DISPLAY PORT CABLES.
14.	TEST AND COMMISSION THE ENTIRE VIDEO SURVEILLANCE SYSTEM AND VIDEO INTERCOM SYSTEM. PROVIDE EIGHT (8) HOURS OF TRAINING TO THE OWNER ON THE OPERATION AND MAINTENANCE OF THE SYSTEM.
15.	DEMO EXISTING CAMERA SYSTEM IN ITS ENTIRETY INCLUDING CAMERAS, CAMERA SUPPORTS, CABLING, EQUIPMENT AND EQUIPMENT MOUNTING CABINET, PATCH HOLES IN WALLS AND CEILINGS AT REMOVED CAMERA LOCATIONS. PROVIDE BLANK COVER PLATES OVER ABANDONED J-BOXES AND OUTLET BOXES.
16.	TURN OVER EXTRA STOCK CAMERAS TO THE OWNER.
17.	PROVIDE OVERALL (1) YEAR WARRANTY FOR THE COMPLETE SYSTEM AND INSTALLATION.
18.	PROVIDE FIFTEEN (15) YEAR WARRANTY FOR THE CAT 6 CABLING SYSTEM.
19.	PROVIDE (5) YEAR ONSITE WARRANTY FOR THE NVR'S AND CONTROL ROOM VIDEO VIEWING WORKSTATIONS.
20.	PROVIDE (3) YEAR WARRANTY FOR ALL CAMERAS.
21.	PROVIDE (3) YEAR WARRANTY FOR NETWORK SWITCHES.
22.	PROVIDE (5) YEAR SOFTWARE AND SUPPORT AGREEMENT (SMART SOFTWARE ASSURANCE) FROM AVIGILON.

ABBREVIATIONS

AFF	ABOVE FINISH FLOOR
AV	AUDIO / VISUAL
AWG	AMERICAN WIRE GAUGE
DEMARC	DEMARICATION POINT
DIA	DIAMETER
FBO	FURNISHED BY OTHERS
(E)	EXISTING
EA	EACH
EMT	ELECTRICAL METALLIC TUBING
EQ	EQUAL
FBO	FURNISHED BY OTHERS
FPD	FLAT PANEL DISPLAY
GND	GROUND
HC	HORIZONTAL CROSS-CONNECT
IC	INTERMEDIATE CROSS-CONNECT
ID	INSIDE DIAMETER
IDC	INSULATION DISPLACEMENT CONNECTOR
IDF	INTERMEDIATE DISTRIBUTION FRAME
LAN	LOCAL AREA NETWORK
MC	MAIN CROSS-CONNECT
MDF	MAIN DISTRIBUTION FRAME
NTS	NOT TO SCALE
OC	ON CENTER
OD	OUTSIDE DIAMETER
OFE	OWNER FURNISHED EQUIPMENT
OSP	OUTSIDE PLANT
PVC	POLYVINYLCHLORIDE
TR	TELECOMMUNICATIONS ROOM
TGB	TELECOMMUNICATIONS GROUNDING BUSBAR
TIA	TELECOMMUNICATIONS INDUSTRY ASSOCIATION
TMB	TELECOMMUNICATIONS MAIN GROUNDING BUSBAR
TYP	TYPICAL
UNO	UNLESS OTHERWISE NOTED
UTP	UNSHIELDED TWISTED PAIR



PK Electrical, Inc.
Engineering - Design - Consulting
681 Sierra Rose Drive, Suite B
Reno, NV 89511
775.826.9010
4601 DTC Boulevard, Suite 740
Denver, CO 80237
720.481.3780
pkelctrical.com

NOT FOR CONSTRUCTION

Tahoe Justice Court / Jail
Surveillance Camera Addition
175 Highway 50
State line, NV 89449

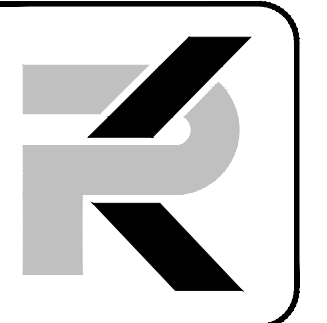
REVISIONS

SHEET TITLE

VIDEO SURVEILLANCE
GENERAL NOTES, LEGEND
AND WORK PHASING
REQUIREMENTS

DRAWN:	BC
CHECKED:	JEG
DATE:	2/21/2023
JOB NUMBER:	22089
PROJECT MGR:	BC

TS0.1



PK Electrical, Inc.
Engineering - Design - Consulting
681 Sierra Rose Drive, Suite B
Reno, NV 89511
775.826.9010
4601 DTC Boulevard, Suite 740
Denver, CO 80237
720.481.3290
pk-electrical.com

NOT FOR CONSTRUCTION

Tahoe Justice Court / Jail
Surveillance Camera Addition
175 Highway 50
Stateline, NV 89449

REVISIONS

SHEET TITLE

CAMERA AND EQUIPMENT SCHEDULES 1 OF 2

DRAWN: BC
CHECKED: JEG
DATE: 2/21/2023
JOB NUMBER: 22089
PROJECT MGR: BC

TS0.2

VIDEO SURVEILLANCE CAMERA SCHEDULE

CAM NO.	LOCATION	CAMERA TYPE	INDOOR / OUTDOOR	MP	IR	POE	DOVE COVER	CLG MIC	MFG	CAMERA PART #	DOVE COVER	MOUNT PART NUMBER	IR RING	POE++ INJECTOR	CEILING MICROPHONE	CAMERA LICENSE	SOFTWARE MAINTENANCE AGREEMENT	MOUNTING LOCATION	MOUNT TYPE	MOUNTING SURFACE	MOUNTING HEIGHT	MOUNTING DETAIL	NOTES		
1	NORTH COVERED PARKING	4-SENSOR FIXED DOME-360	OUTDOOR	4 x 3	YES	60W POE++	CLEAR	-	AVIGILON	12C-H4A-4MH-360	H4AMH-DO-COVR1	H4AMH-AD-PEND1 + IRPTZ-MNT-WALL1 + H4-MT-CRNR1	H4AMH-AD-IRIL1	POE-INJ2-60W-NA	-	-	ACC7-ENT	ACC-ENT-SMART-5YR	CORNER	CORNER	WOOD SIDING	+/- 9'-0" AFF	D,E/TS0.7		
2	OUTDOOR REC YARD	FIXED DOME	OUTDOOR	4	YES	15W POE	SMOKED	-	AVIGILON	4.0C-H5A-D01-IR	H4A-DO-SMOK1	H4A-MT-WALL1	-	-	-	-	ACC7-ENT	ACC-ENT-SMART-5YR	WALL	GOOSENECK	CMU BLOCK	+/- 10'-0" AFF	B/TS0.7		
3	EAST DRIVEWAY	3-SENSOR FIXED DOME - 180	OUTDOOR	3x3	YES	60W POE++	CLEAR	-	AVIGILON	9C-H4A-3MH-180	H4AMH-DO-COVR1	H4AMH-AD-PEND1 + IRPTZ-MNT-WALL1	H4AMH-AD-IRIL1	POE-INJ2-60W-NA	-	-	ACC7-ENT	ACC-ENT-SMART-5YR	CMU WALL	GOOSENECK	SPLIT FACE CMU BLOCK	+/- 10'-0" AFF	B/TS0.7		
4	INDOOR REC YARD	FIXED DOME	INDOOR	4	-	15W POE	SMOKED	-	AVIGILON	4.0C-H5A-D01	H4A-DO-SMOK1	-	-	-	-	-	ACC7-ENT	ACC-ENT-SMART-5YR	WALL	SURFACE	CMU BLOCK	+/- 11'-0" AFF	C/TS0.7		
5	INDOOR REC YARD	FIXED DOME	INDOOR	4	-	15W POE	SMOKED	-	AVIGILON	4.0C-H5A-D01	H4A-DO-SMOK1	-	-	-	-	-	ACC7-ENT	ACC-ENT-SMART-5YR	WALL	SURFACE	PLASTER	+/- 12'-0" AFF	C/TS0.7		
6	VEHICLE SALLY PORT EXIT	FIXED DOME	OUTDOOR	2	YES	15W POE	CLEAR	-	AVIGILON	2.0C-H5A-D01-IR	H4A-DP-CLER1	H4A-MT-WALL1	-	-	-	-	ACC7-ENT	ACC-ENT-SMART-5YR	WALL	GOOSENECK	WOOD SIDING	+/- 10'-0" AFF	B/TS0.7		
7	VEHICLE SALLY PORT	FIXED DOME	OUTDOOR	2	-	15W POE	SMOKED	-	AVIGILON	2.0C-H5A-D01	H4A-DD-SMOK1	H4A-MT-WALL1	-	-	-	-	ACC7-ENT	ACC-ENT-SMART-5YR	WALL	GOOSENECK	WOOD SIDING	+/- 10'-0" AFF	B/TS0.7		
8	HOLDING CELL	CORNER ANTI-LIGATURE	INDOOR	3	YES	15W POE	-	-	AVIGILON	3.0C-H5A-CR1-IR-SS	-	-	-	-	-	-	ACC7-ENT	ACC-ENT-SMART-5YR	CORNER	CEILING CORNER	PLASTER	+/- 8'-0" AFF	-		
9	BOOKING	FIXED DOME	INDOOR	4	-	15W POE	SMOKED	-	AVIGILON	4.0C-H5A-D01	H4A-DO-SMOK1	-	-	-	-	-	ACC7-ENT	ACC-ENT-SMART-5YR	CEILING	SURFACE	PLASTER	+/- 8'-0" AFF	A/TS0.7		
10	EAST SALLY PORT	FISHEYE	INDOOR	1x8	-	15W POE	-	-	AVIGILON	8.0C-H5A-FE-DO1	-	-	-	-	-	-	ACC7-ENT	ACC-ENT-SMART-5YR	CEILING	SURFACE	PLASTER	+/- 8'-6" AFF	A/TS0.7		
11	SUPPLIES	FIXED DOME	INDOOR	2	-	15W POE	SMOKED	-	AVIGILON	2.0C-H5A-D1	H4A-DO-SMOK1	-	-	-	-	-	ACC7-ENT	ACC-ENT-SMART-5YR	CEILING	SURFACE	PLASTER	+/- 8'-6" AFF	A/TS0.7		
12	LAUNDRY 165	FIXED DOME	INDOOR	2	-	15W POE	SMOKED	-	AVIGILON	2.0C-H5A-D1	H4A-DO-SMOK1	-	-	-	-	-	ACC7-ENT	ACC-ENT-SMART-5YR	CEILING	SURFACE	PLASTER	+/- 8'-6" AFF	A/TS0.7		
13	ELEVATOR	CORNER ANTI-LIGATURE	INDOOR	3	YES	15W POE	-	-	AVIGILON	3.0C-H5A-CR1-IR-SS	-	-	-	-	-	-	ACC7-ENT	ACC-ENT-SMART-5YR	CORNER	CEILING CORNER	ELEV CAB	+/- 7'-6" AFF	-		
14	EAST COVERED ENTRY	FIXED DOME	OUTDOOR	2	YES	15W POE	SMOKED	-	AVIGILON	2.0C-H5A-D01-IR	H4A-DD-SMOK1	-	-	-	-	-	ACC7-ENT	ACC-ENT-SMART-5YR	CEILING	SURFACE	WOOD PANELING	+/- 8'-0" AFF	A/TS0.7		
15	VEHICLE SALLY PORT	FIXED DOME	OUTDOOR	2	-	15W POE	SMOKED	-	AVIGILON	2.0C-H5A-D01	H4A-DD-SMOK1	H4A-MT-WALL1	-	-	-	-	ACC7-ENT	ACC-ENT-SMART-5YR	WALL	GOOSENECK	WOOD SIDING	+/- 10'-0" AFF	B/TS0.7		
16	VEHICLE SALLY PORT EXTERIOR	4-SENSOR FIXED DOME-270	OUTDOOR	4 x 3	YES	60W POE++	CLEAR	-	AVIGILON	12C-H4A-4MH-360	H4AMH-DO-COVR1	H4AMH-AD-PEND1 + IRPTZ-MNT-WALL1 + H4-MT-CRNR1	H4AMH-AD-IRIL1	POE-INJ2-60W-NA	-	-	ACC7-ENT	ACC-ENT-SMART-5YR	CORNER	CORNER	WOOD SIDING	+/- 10'-0" AFF	D,E/TS0.7		
17	SOUTHEAST BUILDING CORNER	4-SENSOR FIXED DOME-270	OUTDOOR	4 x 3	YES	60W POE++	CLEAR	-	AVIGILON	12C-H4A-4MH-360	H4AMH-DO-COVR1	H4AMH-AD-PEND1 + IRPTZ-MNT-WALL1 + H4-MT-CRNR1	H4AMH-AD-IRIL1	POE-INJ2-60W-NA	-	-	ACC7-ENT	ACC-ENT-SMART-5YR	CORNER	CORNER	WOOD SIDING	+/- 9'-0" AFF	D,E/TS0.7		
18	NORTH COVERED PARKING	FIXED DOME	OUTDOOR	2	YES	15W POE	CLEAR	-	AVIGILON	2.0C-H5A-D01-IR	H4A-DP-CLER1	-	-	-	-	-	ACC7-ENT	ACC-ENT-SMART-5YR	CEILING	SURFACE	WOOD PANELING	+/- 8'-6" AFF	A/TS0.7		
19	NORTH JUVENILE ENTRANCE	FIXED DOME	INDOOR	2	-	15W POE	SMOKED	-	AVIGILON	2.0C-H5A-D1	H4A-DO-SMOK1	-	-	-	-	-	ACC7-ENT	ACC-ENT-SMART-5YR	CEILING	SURFACE	WOOD PANELING	+/- 8'-0" AFF	A/TS0.7		
20	JUVENILE TV ROOM 175	4-SENSOR FIXED DOME-360	INDOOR	4 x 3	-	30W POE+	SMOKED	-	AVIGILON	12C-H4A-4MH-360	H4AMH-DO-COVR1-SMOKE	H4AMH-AD-DOME1	-	-	-	-	ACC7-ENT	ACC-ENT-SMART-5YR	CEILING	SURFACE	WOOD PANELING	+/- 7'-6" AFF	A/TS0.7		
21	JUVENILE CORRIDOR 180	FIXED DOME	INDOOR	2	-	15W POE	SMOKED	-	AVIGILON	2.0C-H5A-D1	H4A-DO-SMOK1	-	-	-	-	-	ACC7-ENT	ACC-ENT-SMART-5YR	CEILING	SURFACE	METAL PANEL	+/- 8'-0" AFF	A/TS0.7		
22	JUVENILE CORRIDOR 181	FIXED DOME	INDOOR	2	-	15W POE	SMOKED	-	AVIGILON	2.0C-H5A-D1	H4A-DO-SMOK1	-	-	-	-	-	ACC7-ENT	ACC-ENT-SMART-5YR	CEILING	SURFACE	METAL PANEL	+/- 8'-0" AFF	A/TS0.7		
23	JUVENILE HOLDING DAY ROOM	FIXED DOME	INDOOR	2	-	15W POE	SMOKED	-	AVIGILON	2.0C-H5A-D1	H4A-DO-SMOK1	-	-	-	-	-	ACC7-ENT	ACC-ENT-SMART-5YR	CEILING	SURFACE	PLASTER	+/- 8'-6" AFF	A/TS0.7		
24	JUVENILE HOLDING CELL	CORNER ANTI-LIGATURE	INDOOR	3	YES	15W POE	-	-	AVIGILON	3.0C-H5A-CR1-IR-SS	-	-	-	-	-	-	ACC7-ENT	ACC-ENT-SMART-5YR	CORNER	CEILING CORNER	PLASTER	+/- 8'-0" AFF	-		
25	JUVENILE HOLDING CELL	CORNER ANTI-LIGATURE	INDOOR	3	YES	15W POE	-	-	AVIGILON	3.0C-H5A-CR1-IR-SS	-	-	-	-	-	-	ACC7-ENT	ACC-ENT-SMART-5YR	CORNER	CEILING CORNER	PLASTER	+/- 8'-0" AFF	-		
26	JUVENILE HOLDING CELL	CORNER ANTI-LIGATURE	INDOOR	3	YES	15W POE	-	-	AVIGILON	3.0C-H5A-CR1-IR-SS	-	-	-	-	-	-	ACC7-ENT	ACC-ENT-SMART-5YR	CORNER	CEILING CORNER	PLASTER	+/- 8'-0" AFF	-		
27	JUVENILE HOLDING CELL	CORNER ANTI-LIGATURE	INDOOR	3	YES	15W POE	-	-	AVIGILON	3.0C-H5A-CR1-IR-SS	-	-	-	-	-	-	ACC7-ENT	ACC-ENT-SMART-5YR	CORNER	CEILING CORNER	PLASTER	+/- 8'-0" AFF	-		
28	JUVENILE HOLDING CELL	CORNER ANTI-LIGATURE	INDOOR	3	YES	15W POE	-	-	AVIGILON	3.0C-H5A-CR1-IR-SS	-	-	-	-	-	-	ACC7-ENT	ACC-ENT-SMART-5YR	CORNER	CEILING CORNER	PLASTER	+/- 8'-0" AFF	-		
29	JUVENILE HOLDING DAY ROOM	FIXED DOME	INDOOR	2	-	15W POE	SMOKED	-	AVIGILON	2.0C-H5A-D1	H4A-DO-SMOK1	-	-	-	-	-	ACC7-ENT	ACC-ENT-SMART-5YR	CEILING	SURFACE	PLASTER	+/- 8'-6" AFF	A/TS0.7		
30	ADULT HOLDING CELL	CORNER ANTI-LIGATURE	INDOOR	3	YES	15W POE	-	-	AVIGILON	3.0C-H5A-CR1-IR-SS	-	-	-	-	-	-	ACC7-ENT	ACC-ENT-SMART-5YR	CORNER	CEILING CORNER	PLASTER	+/- 8'-0" AFF	-		
31	ADULT HOLDING CELL	CORNER ANTI-LIGATURE	INDOOR	3	YES	15W POE	-	-	AVIGILON	3.0C-H5A-CR1-IR-SS	-	-	-	-	-	-	ACC7-ENT	ACC-ENT-SMART-5YR	CORNER	CEILING CORNER	PLASTER	+/- 8'-0" AFF	-		
32	ADULT BOOKING	3-SENSOR FIXED DOME - 180	INDOOR	3x3	-	30W POE+	SMOKED	-	AVIGILON	9C-H4A-3MH-180	H4AMH-DO-COVR1-SMOKE	H4AMH-AD-DOME1	-	-	-	-	ACC7-ENT	ACC-ENT-SMART-5YR	CEILING	SURFACE	PLASTER	+/- 8'-0" AFF	A/TS0.7		
33	ADULT HOLDING CELL	FIXED DOME	INDOOR	2	-	15W POE	SMOKED	-	AVIGILON	2.0C-H5A-D1	H4A-DO-SMOK1	-	-	-	-	-	ACC7-ENT	ACC-ENT-SMART-5YR	CEILING	SURFACE	PLASTER	+/- 8'-8" AFF	A/TS0.7		
34	PROPERTY STORAGE 161	FIXED DOME	INDOOR	2	-	15W POE	SMOKED	-	AVIGILON	2.0C-H5A-D1	H4A-DO-SMOK1	-	-	-	-	-	ACC7-ENT	ACC-ENT-SMART-5YR	CEILING	SURFACE	PLASTER	+/- 8'-8" AFF	A/TS0.7		
35	ADULT HOLDING CORRIDOR	FIXED DOME	INDOOR	2	-	15W POE	SMOKED	-	AVIGILON	2.0C-H5A-D1	H4A-DO-SMOK1	-	-	-	-	-	ACC7-ENT	ACC-ENT-SMART-5YR	CEILING	SURFACE	PLASTER	+/- 8'-8" AFF	A/TS0.7		
36	ADULT HOLDING CORRIDOR	FIXED DOME	INDOOR	2	-	15W POE	SMOKED	-	AVIGILON	2.0C-H5A-D1	H4A-DO-SMOK1	-	-	-	-	-	ACC7-ENT	ACC-ENT-SMART-5YR	CEILING	SURFACE	PLASTER	+/- 8'-8" AFF	A/TS0.7		
37	ADULT HOLDING CELL	FIXED DOME	INDOOR	2	-	15W POE	SMOKED	-	AVIGILON	2.0C-H5A-D1	H4A-DO-SMOK1	-	-	-	-	-	ACC7-ENT	ACC-ENT-SMART-5YR	CEILING	SURFACE	PLASTER	+/- 8'-8" AFF	A/TS0.7		
38	ADULT HOLDING CORRIDOR	FIXED DOME	INDOOR	2	-	15W POE	SMOKED	-	AVIGILON	2.0C-H5A-D1	H4A-DO-SMOK1	-	-	-	-	-	ACC7-ENT	ACC-ENT-SMART-5YR	CEILING	SURFACE	PLASTER	+/- 8'-8" AFF	A/TS0.7		
39	ADULT HOLDING CELL	CORNER ANTI-LIGATURE	INDOOR	3	YES	15W POE	-	-	AVIGILON	3.0C-H5A-CR1-IR-SS	-	-	-	-	-	-	ACC7-ENT	ACC-ENT-SMART-5YR	CORNER	CEILING CORNER	PLASTER	+/- 8'-0" AFF	-		
40	ADULT HOLDING CELL	CORNER ANTI-LIGATURE	INDOOR	3	YES	15W POE	-	-	AVIGILON	3.0C-H5A-CR1-IR-SS	-	-	-	-	-	-	ACC7-ENT	ACC-ENT-SMART-5YR	CORNER	CEILING CORNER	PLASTER	+/- 8'-0" AFF	-		
41	ADULT HOLDING CELL	CORNER ANTI-LIGATURE	INDOOR	3	YES	15W POE	-	-	AVIGILON	3.0C-H5A-CR1-IR-SS	-	-	-	-	-	-	ACC7-ENT	ACC-ENT-SMART-5YR	CORNER	CEILING CORNER	PLASTER	+/- 8'-0" AFF	-		
42	ADULT HOLDING CELL	CORNER ANTI-LIGATURE	INDOOR	3	YES	15W POE	-	-	AVIGILON	3.0C-H5A-CR1-IR-SS	-	-	-	-	-	-	ACC7-ENT	ACC-ENT-SMART-5YR	CORNER	CEILING CORNER	PLASTER	+/- 8'-0" AFF	-		
43	ADULT HOLDING DAY ROOM	FIXED DOME	INDOOR	2	-	15W POE	SMOKED	-	AVIGILON	2.0C-H5A-D1	H4A-DO-SMOK1	-	-	-	-	-	ACC7-ENT	ACC-ENT-SMART-5YR	CEILING	SURFACE	METAL PANEL	+/- 8'-0" AFF	A/TS0.7		
44	ADULT HOLDING DAY ROOM	FIXED DOME	INDOOR	2	-	15W POE	SMOKED	-	AVIGILON	2.0C-H5A-D1	H4A-DO-SMOK1	-	-	-	-	-	ACC7-ENT	ACC-ENT-SMART-5YR	CEILING	SURFACE	METAL PANEL	+/- 8'-0" AFF	A/TS0.7		
45	CORRIDOR 155	FISHEYE	INDOOR	1x8	-	15W POE	-	-	AVIGILON	8.0C-H5A-FE-DO1	-	-	-	-	-	-	ACC7-ENT	ACC-ENT-SMART-5YR	CEILING	SURFACE	PLASTER	+/- 8'-8" AFF	A/TS0.7		
46	SOUTH ADULT HOLDING ENTRY	FIXED DOME	OUTDOOR	2	YES	15W POE	CLEAR	-	AVIGILON	2.0C-H5A-D01-IR	H4A-DP-CLER1	-	-	-	-	-	ACC7-ENT	ACC-ENT-SMART-5YR	CEILING	SURFACE	PLASTER	+/- 8'-0" AFF	A/TS0.7		
47	NORTH COVERED PARKING	4-SENSOR FIXED DOME-360	OUTDOOR	4 x 3	YES	60W POE++	CLEAR	-	AVIGILON	12C-H4A-4MH-360	H4AMH-DO-COVR1	H4AMH-AD-PEND1 + IRPTZ-MNT-WALL1 + H4-MT-CRNR1	H4AMH-AD-IRIL1	POE-INJ2-60W-NA	-	-	-	ACC7-ENT	ACC-ENT-SMART-5YR	CORNER	CORNER	WOOD SIDING	+/- 9'-0" AFF	D,E/TS0.7	
48	JUVENILE HOLDING DAY ROOM	FIXED DOME	INDOOR	2	-	15W POE	SMOKED	-	AVIGILON	2.0C-H5A-D1	H4A-DO-SMOK1	-	-	-	-	-	ACC7-ENT	ACC-ENT-SMART-5YR	CEILING	SURFACE	METAL PANEL	+/- 8'-0" AFF	A/TS0.7		
49	HOLDING CELL	CORNER ANTI-LIGATURE	INDOOR	3	YES	15W POE																			



PK Electrical, Inc.
Engineering - Design - Consulting

681 Sierra Rose Drive, Suite B
Reno, NV 89512
775.826.9010

4601 DTC Boulevard, Suite 740
Denver, CO 80237
720.481.3290
pk-electrical.com

NOT FOR
CONSTRUCTION

Tahoe Justice Court / Jail
Surveillance Camera Addition
175 Highway 50
State Line, NV 89449

UPS SCHEDULE					
UPS	LOCATION	SIZE	MFG	MFG PART #	IP MGT MODULE
1	PROPERTY STORAGE ROOM EQUIP CABINET	2,200 VA	APC	SMT2200RM2U	AP9640
2	PROPERTY STORAGE ROOM EQUIP CABINET	2,200 VA	APC	SMT2200RM2U	AP9640
3	CONTROL RM WORKSTATION #1	1,500 VA	APC	SMT1500C	-
4	CONTROL RM WORKSTATION #2	1,500 VA	APC	SMT1500C	-

F UPS SCHEDULE
TS0.3 SCALE: NONE

CONTROL ROOM MONITOR SCHEDULE						
MONITOR	SIZE (DIAGONAL)	MFG	MONITOR PART #	MOUNT TYPE	MOUNT MFG	CEILING MOUNT PART #
1	50"	SAMSUNG	QB50R	CEILING	CHIEF	LCM1U + CMS012018 + CMA115
2	50"	SAMSUNG	QB50R	CEILING	CHIEF	LCM1U + CMS012018 + CMA115
3	50"	SAMSUNG	QB50R	CEILING	CHIEF	LCM1U + CMS012018 + CMA115
4	50"	SAMSUNG	QB50R	CEILING	CHIEF	LCM1U + CMS012018 + CMA115

E MONITOR SCHEDULE
TS0.3 SCALE: NONE

NETWORK SWITCH SCHEDULE										
SWITCH #	PORTS	PORT SPEED	POE++ 60W PORTS	POE+ 30W PORTS	TOTAL POWER BUDGET	COMBO 10G COPPER SFP+	10G SFP+ PORTS	SWITCH MFG	SWITCH MFG PART #	SWITCH STACKING CABLE PART #
1	24	10/100/1000	8	16	382 WATTS	2	2	CISCO	SG550X-24MP-K9-NA	SFP-H10GB-CU3M
2	24	10/100/1000	8	16	382 WATTS	2	2	CISCO	SG550X-24MP-K9-NA	SFP-H10GB-CU1M
3	24	10/100/1000	8	16	382 WATTS	2	2	CISCO	SG550X-24MP-K9-NA	SFP-H10GB-CU1M
4	24	10/100/1000	8	16	382 WATTS	2	2	CISCO	SG550X-24MP-K9-NA	SFP-H10GB-CU1M
5	24	10/100/1000	8	16	382 WATTS	2	2	CISCO	SG550X-24MP-K9-NA	SFP-H10GB-CU1M

D NETWORK SWITCH SCHEDULE
TS0.3 SCALE: NONE

VIDEO WALL WORKSTATION SCHEDULE				
WORKSTATION #	MONITORS	WORKSTATION MFG	WORKSTATION PART #	ACCESSORIES - EXT WARRANTY
1	2	AVIGILON (DELL OEM)	RM6-WKS-4MN-NA	NVR-WKS-WARR-EXTEND-2YR
2	2	AVIGILON (DELL OEM)	RM6-WKS-4MN-NA	NVR-WKS-WARR-EXTEND-2YR

C VIDEO VIEWING WORKSTATION SCHEDULE
TS0.3 SCALE: NONE

NETWORK VIDEO RECORDER SCHEDULE				
NVR #	STORAGE CAPACITY	MFG	MFG PART #	ACCESSORIES (10G COPPER NETWORK CABLE)
1	288TB	AVIGILON	NVR5-PRM-288TB-S19-NA	NVR5-SFPPLUS-SR-B
2	288TB	AVIGILON	NVR5-PRM-288TB-S19-NA	NVR5-SFPPLUS-SR-B

B NETWORK VIDEO RECORDER SCHEDULE
TS0.3 SCALE: NONE

SPARE CAMERAS									
QTY OF SPARES	CAMERA TYPE	INDOOR / OUTDOOR	MP	IR	DOME COVER	MFG	CAMERA PART #	DOME COVER	OTHER
2	FIXED DOME	INDOOR	2	-	SMOKED	AVIGILON	2.0C-H5A-D1	H4A-DD-SMOK1	-
2	CORNER ANTI-LIGATURE	INDOOR	3	YES	-	AVIGILON	3.0C-H5A-CR1-IR-SS	-	-
1	4-SENSOR FIXED DOME	INDOOR	4 x 3	-	SMOKED	AVIGILON	12C-H4A-4MH-360	H4AMH-DO-COVR1-SMOKE	-
1	4-SENSOR FIXED DOME	OUTDOOR	4 x 3	YES	CLEAR	AVIGILON	12C-H4A-4MH-360	H4AMH-DO-COVR1	H4AMH-AD-IRIL1

A SPARE CAMERA SCHEDULE
TS0.3 SCALE: NONE

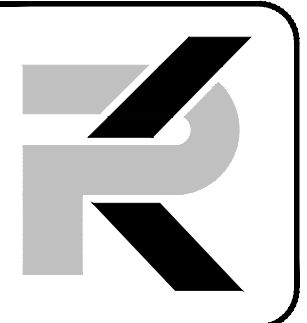
REVISIONS

SHEET TITLE

CAMERA AND EQUIPMENT SCHEDULES 2 OF 2

DRAWN: BC
 CHECKED: JEG
 DATE: 2/21/2023
 JOB NUMBER: 22083
 PROJECT MGR: BC

TS0.3



PK Electrical, Inc.
Engineering - Design - Consulting
681 Sierra Rose Drive, Suite B
Reno, NV 89512
775.826.9010
4601 DTC Boulevard, Suite 740
Denver, CO 80237
720.481.3290
pklectrical.com

NOT FOR CONSTRUCTION

Tahoe Justice Court / Jail
Surveillance Camera Addition
175 Highway 50
Stateline, NV 89449

REVISIONS

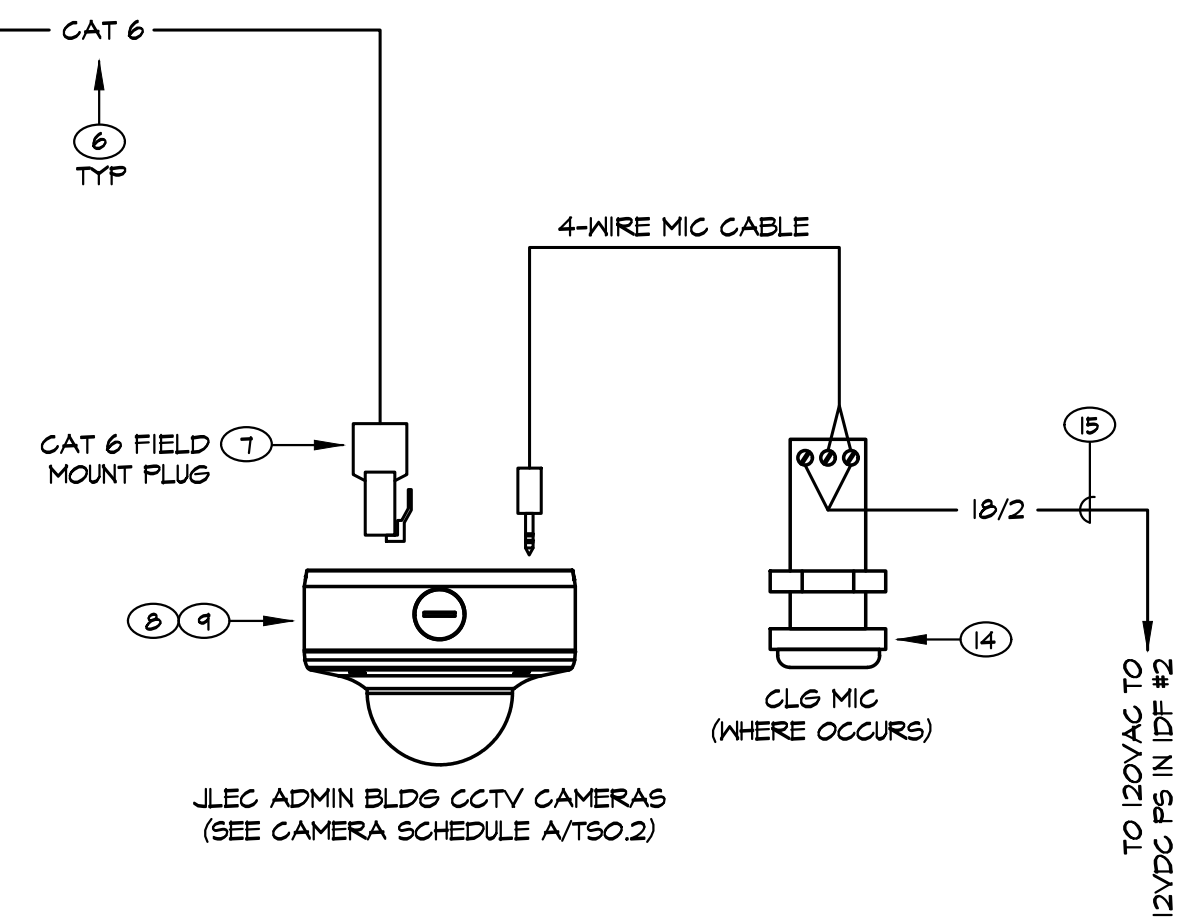
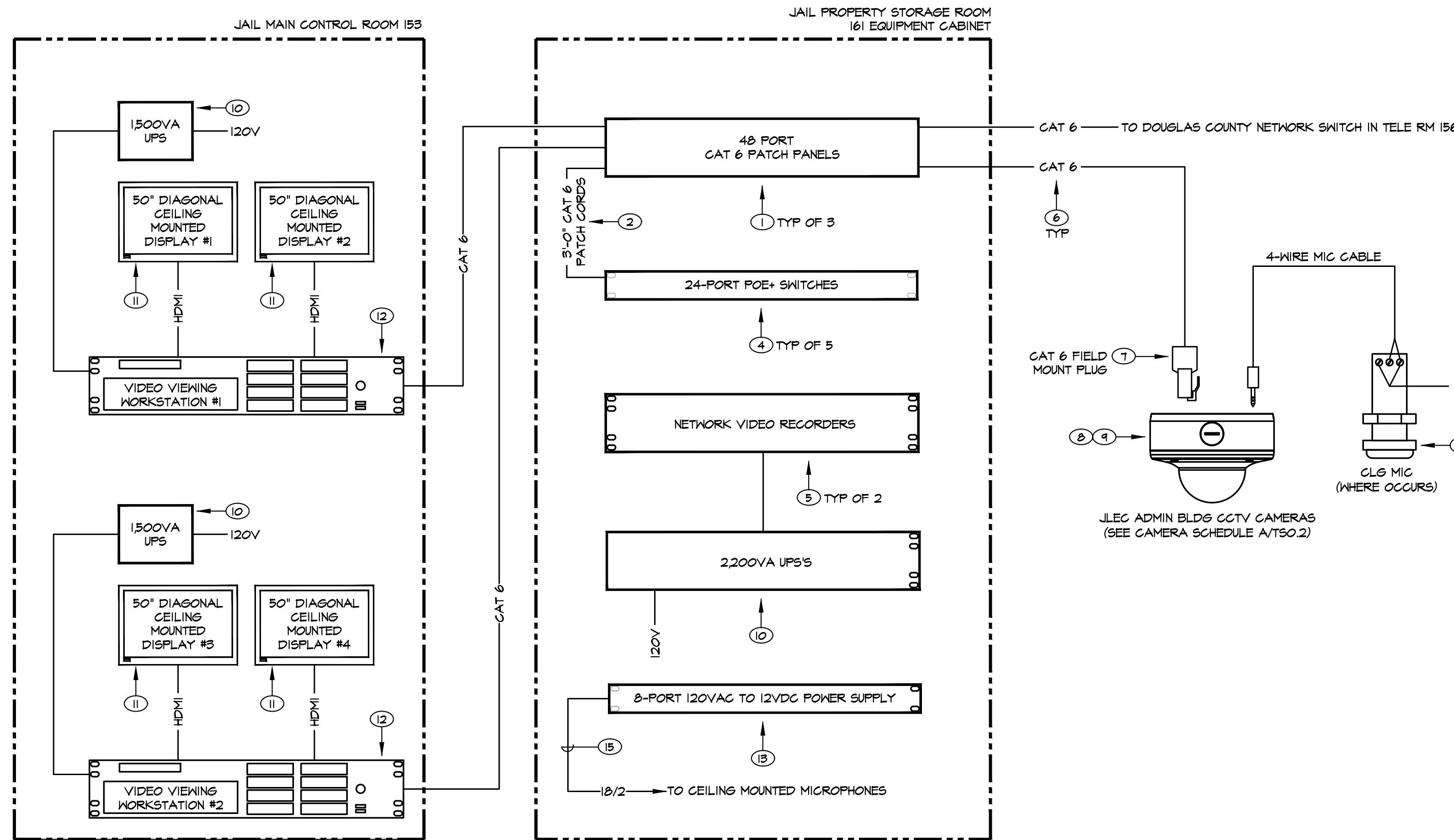
SHEET TITLE
VIDEO SURVEILLANCE
ONLINE DIAGRAM AND
VIDEO INTERCOM
DETAILS

DRAWN: BC
CHECKED: JEG
DATE: 2/21/2023
JOB NUMBER: 22089
PROJECT MGR: BC

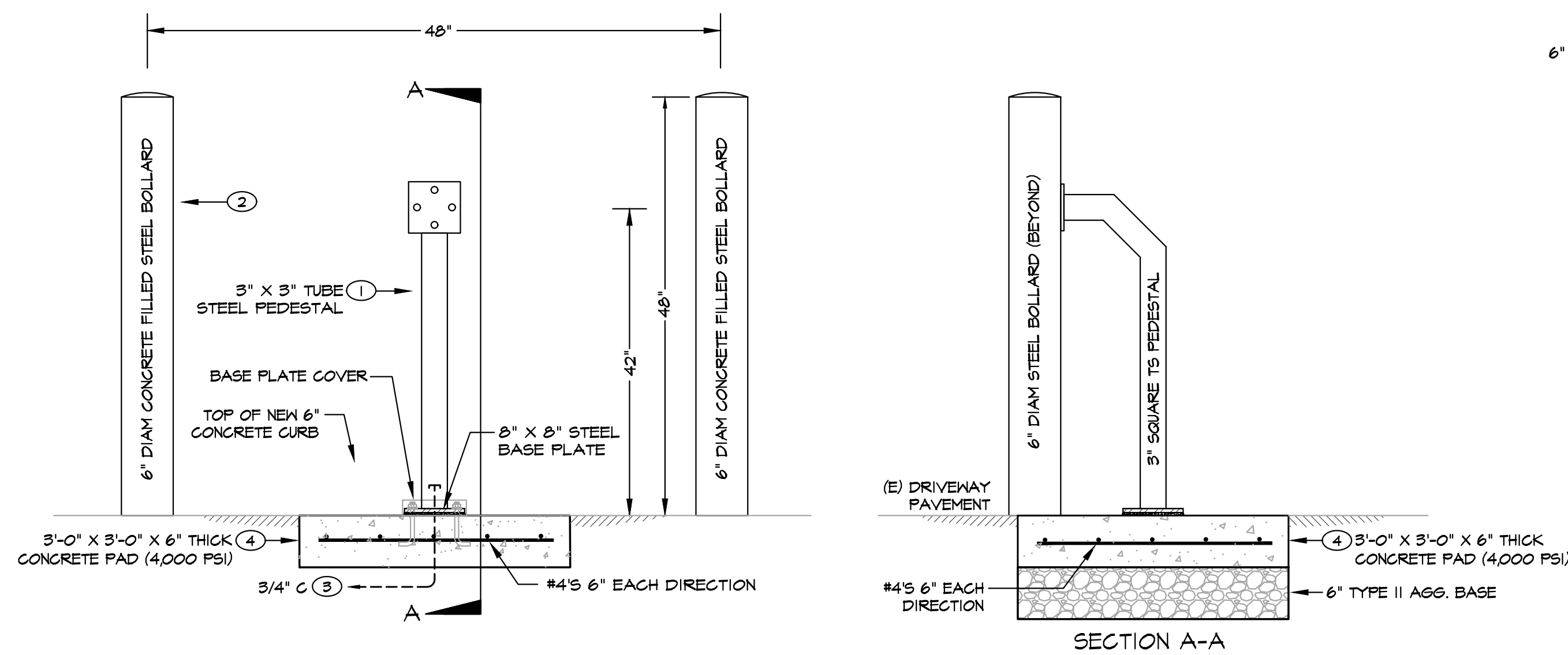
TS0.4

VIDEO SURVEILLANCE ONLINE SHEET NOTES

- ① 48-PORT CAT 6 PATCH PANEL (SEE A/TS0.6).
- ② 3'-0" CAT 6 PATCH CORD TO CROSS CONNECT CAMERAS AND NETWORK DROPS TO POE+ SWITCHES (SEE B/TO.6). FURNISH QTY (1) 3'-0" PATCH CORD FOR EACH CAT 6 CAMERA AND DATA OUTLET CABLE DROP.
- ③ 3 METER 10G SFP+ THINAX CABLE TO CONNECT NEW NVR TO (E) POE+ SWITCH. SEE B/TS0.6.
- ④ 24-PORT POE+ SWITCHES WITH 10G STACKING CABLES. SEE TS0.3 FOR SWITCH AND STACKING CABLE SPECIFICATIONS. SEE B/TS0.6 FOR CABLING AND MOUNTING REQUIREMENTS.
- ⑤ NETWORK VIDEO RECORDER (NVR). SEE TS0.3 FOR NVR SPECIFICATIONS. SEE AB/TS0.6 FOR CABLING AND MOUNTING REQUIREMENTS.
- ⑥ PLENUM CAT 6 CABLE (CMP). WHERE CABLES ARE ROUTED IN UNDERGROUND DUCTS, PROVIDE OSP RATED CAT 6 CABLE SUITABLE FOR INSTALLATION IN NET LOCATIONS.
- ⑦ TERMINATE CAT 6 CABLE AT CAMERAS ON CAT 6 FIELD MOUNT PLUG (OR CAT 6 JACK WITH PATCH CORD) AND CONNECT TO CAMERA.
- ⑧ FURNISH AND INSTALL IP VIDEO SURVEILLANCE CAMERA AND ASSOCIATED MOUNTS/RACEWAY. SEE TS0.2 FOR CAMERA AND MOUNT SPECIFICATIONS.
- ⑨ DOWNLOAD AND INSTALL THE LATEST FIRMWARE FROM THE MANUFACTURER'S WEBSITE ON ALL CAMERAS AT THE COMPLETION OF THE PROJECT.
- ⑩ UPS. SEE TS0.3 FOR REQUIREMENTS.
- ⑪ CEILING MOUNTED 50" DIAGONAL FLAT PANEL DISPLAY. SEE TS0.3 FOR DISPLAY AND MOUNT SPECIFICATIONS.
- ⑫ CONTROL ROOM VIDEO VIEWING WORKSTATION. INSTALL HDMI CABLING FROM WORKSTATION TO CEILING MOUNTED FLAT PANEL DISPLAYS.
- ⑬ 1RU 8-PORT 120VAC TO 12VDC POWER SUPPLY FOR CEILING MOUNTED MICROPHONES (ALTRONIX VERTILINESD).
- ⑭ CEILING MOUNTED MICROPHONE (WHERE OCCURS - SEE CAMERA SCHEDULE). PROVIDE 4-WIRE MIC CABLE FROM MICROPHONE TO CAMERA.
- ⑮ PROVIDE 1/2" PLENUM CABLE FROM 12VDC POWER SUPPLY IN PROPERTY STORAGE ROOM EQUIPMENT CABINET TO MICROPHONES.



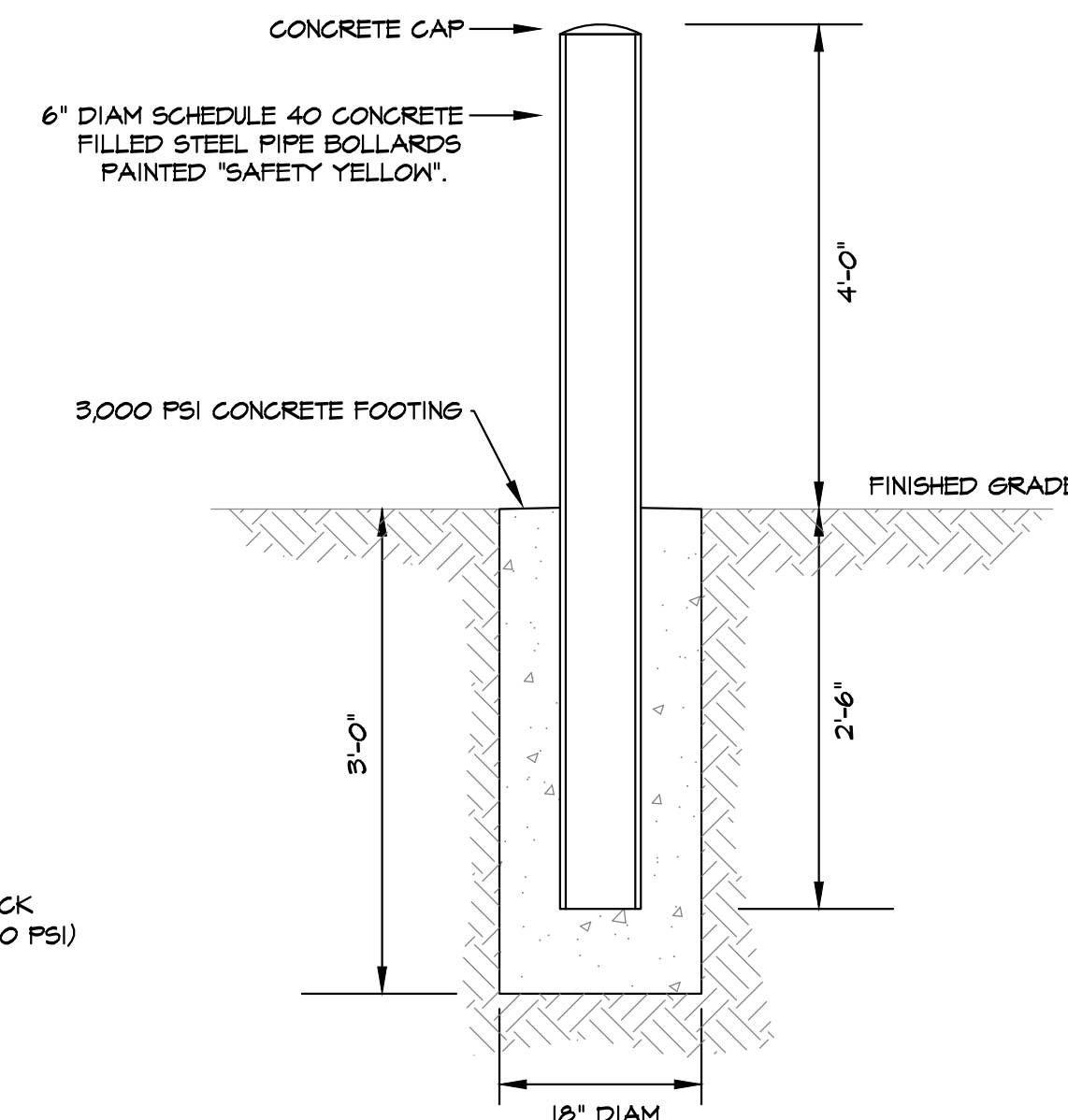
D VIDEO SURVEILLANCE SYSTEM ONLINE DIAGRAM
TS0.4 SCALE: NONE



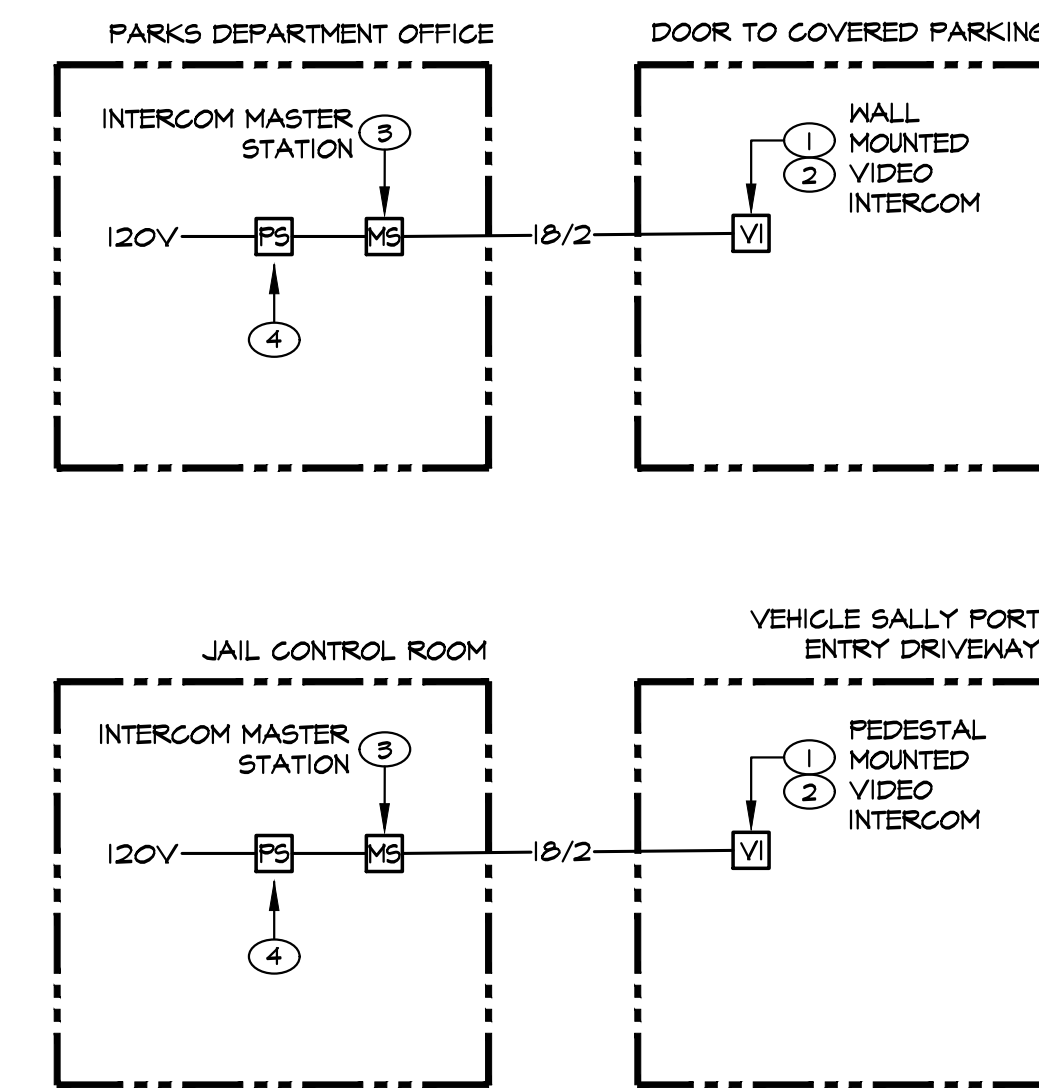
C VIDEO INTERCOM PEDESTAL DETAIL
TS0.4 SCALE: NONE

VIDEO INTERCOM PEDESTAL NOTES

- ① VIDEO INTERCOM PEDESTAL (PEDESTAL PRO 42-3-12).
- ② 6" DIAMETER CONCRETE FILLED SCHED 40 STEEL BOLLARD. SEE B/TS0.4 FOR BASE AND EMBEDMENT DEPTH. PAINT BOLLARDS SAFETY YELLOW.
- ③ INSTALL 3/4" UNDERGROUND CONDUIT FROM PEDESTAL TO ACCESSIBLE CEILING SPACE IN VEHICLE SALLY PORT. PROVIDE OUTDOOR RATED CABLE FROM PEDESTAL TO PULL BOX ON EXTERIOR BUILDING. SPLICE TO INDOOR CABLE FROM THAT POINT TO THE CONTROL ROOM.
- ④ 4,000 PSI CONCRETE PAD AND 6" CURB. SAWCUT EXISTING ASPHALT TO ACCOMMODATE NEW CONCRETE PAD. CONTRACTOR TO COORDINATE CONCRETE PAD AND BOLLARD LOCATIONS WITH EXISTING DRIVENWAY.



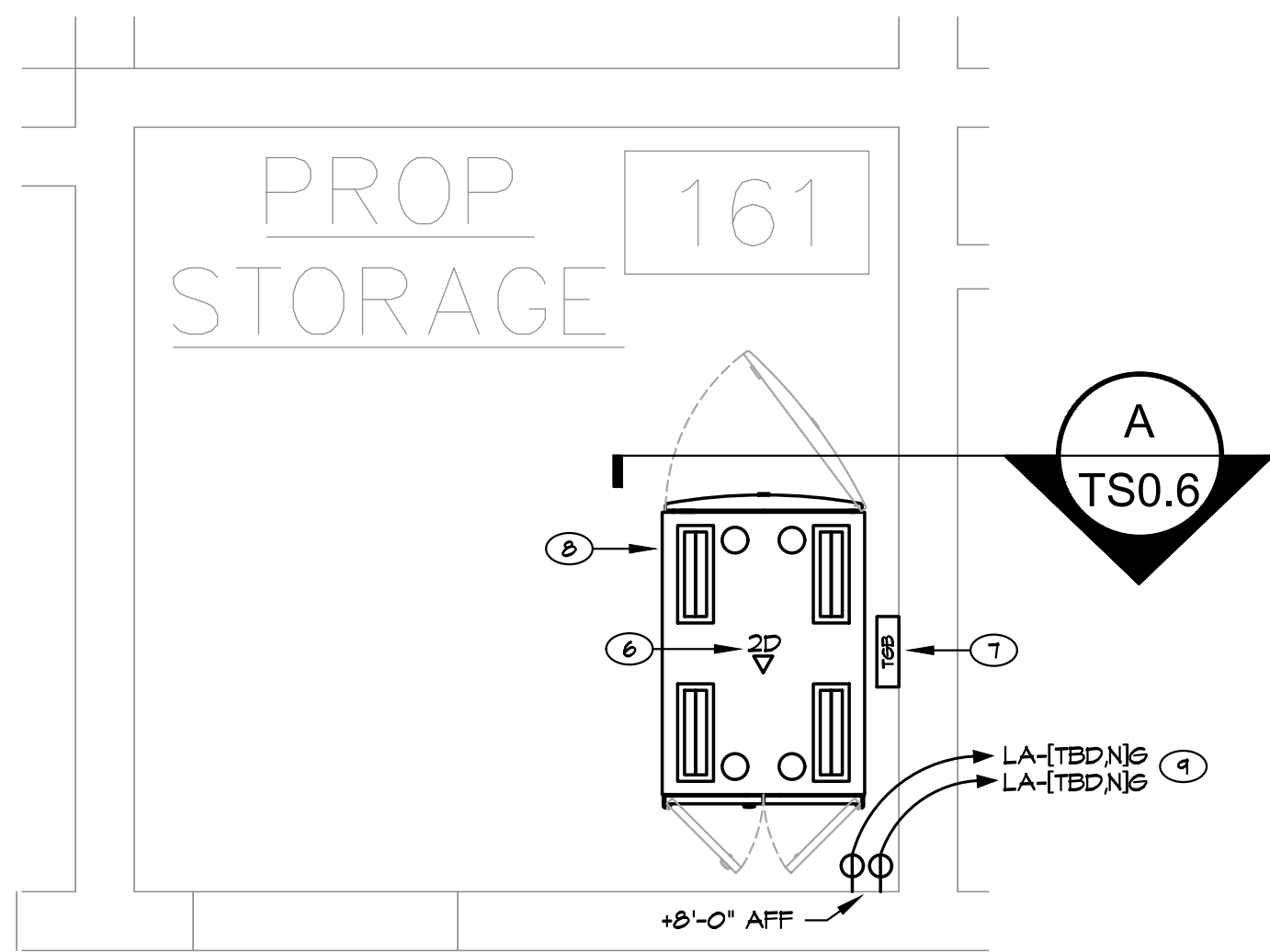
B STEEL BOLLARD DETAIL
TS0.4 SCALE: NONE



A VIDEO INTERCOM ONLINE
TS0.4 SCALE: NONE

VIDEO INTERCOM SHEET NOTES

- ① VANDAL RESISTANT STAINLESS STEEL VIDEO INTERCOM STATION (AIPHONE P/N JP-DVF).
- ② PROVIDE IP65 RATED SURFACE MOUNTED BACK FOR MOUNTING OF VIDEO INTERCOM (AIPHONE SBX-DVF). SEAL ALL PENETRATIONS AND MAKE WATERTIGHT.
- ③ VIDEO INTERCOM MASTER STATION (AIPHONE P/N JP-4MED).
- ④ 120VAC TO 24VDC POWER SUPPLY (AIPHONE P/N PS-2420UL).



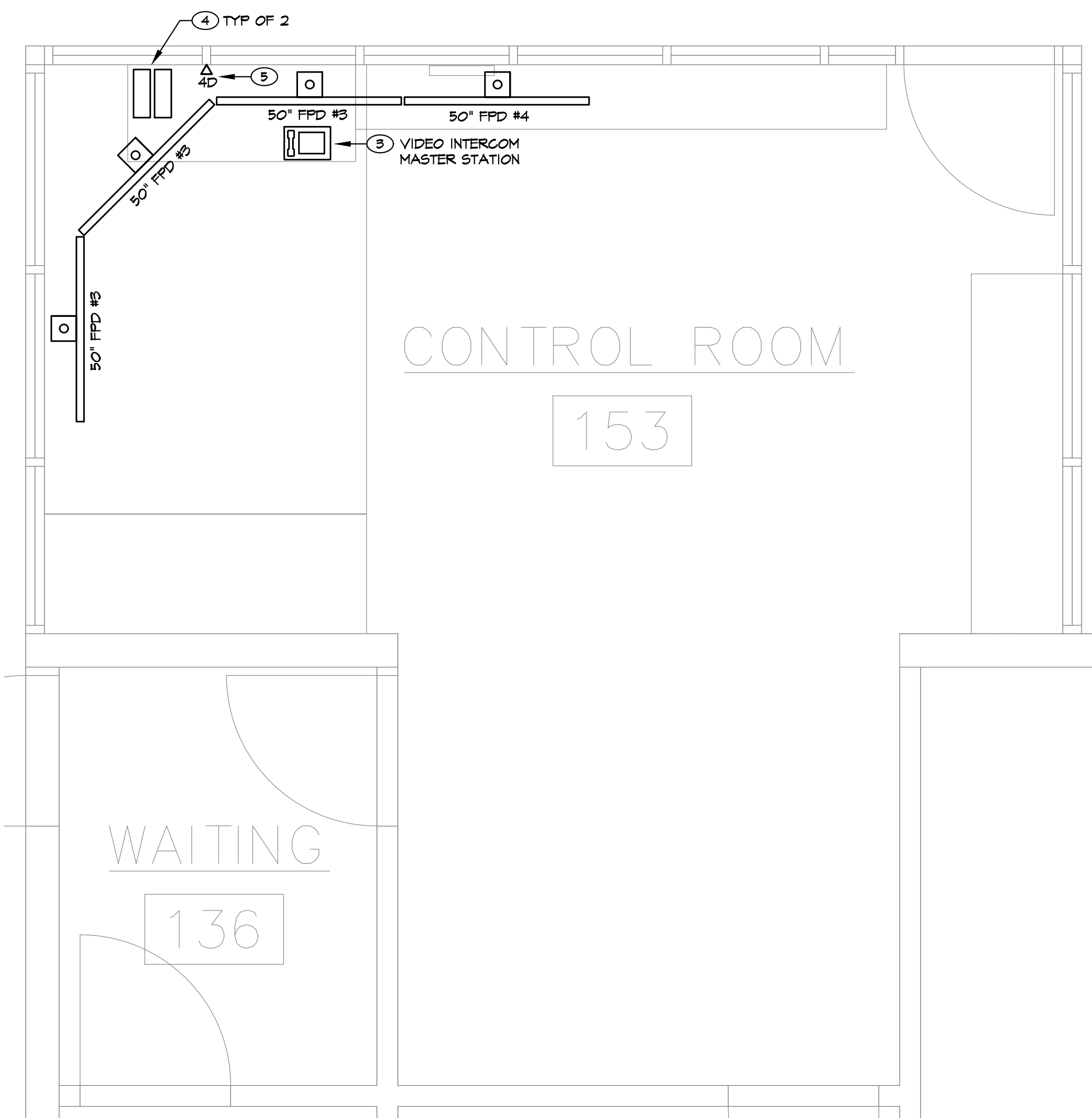
C PROPERTY STORAGE ROOM ENLARGED PLAN - NEW WORK
 TS0.5 SCALE: 1/2" = 1'-0"

GENERAL NOTES

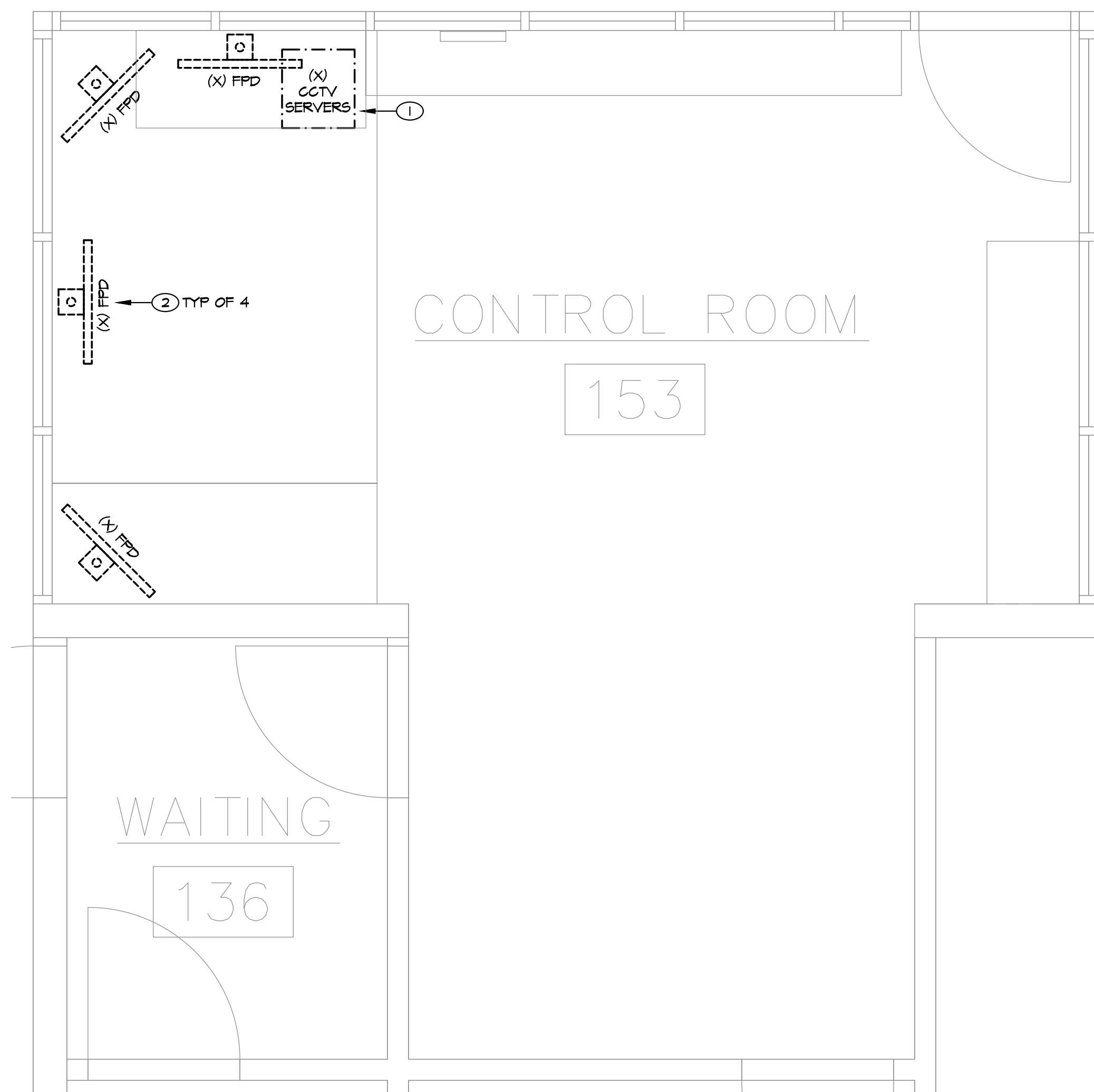
1. THE EXISTING CAMERA SYSTEM MUST REMAIN OPERATIONAL UNTIL THE NEW CAMERA SYSTEM IS INSTALLED AND ONLINE. SEE TS0.1 FOR PHASING REQUIREMENTS.
2. THE EXISTING CCTV SYSTEM IS TO BE REMOVED IN ITS ENTIRETY AT THE COMPLETION OF THE PROJECT INCLUDING ALL CAMERAS, EQUIPMENT AND CABLING.

SHEET NOTES

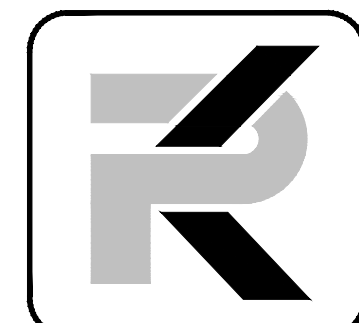
- 1 DEMO EXISTING CCTV SERVERS AND RELATED CABLING.
- 2 DEMO EXISTING CEILING MOUNTED MONITORS, SUPPORTS AND CABLES.
- 3 VIDEO INTERCOM MASTER STATION (SEE A/TS0.4). COORDINATE VIDEO INTERCOM MOUNTING LOCATION WITH DOUGLAS COUNTY JAIL STAFF.
- 4 VIDEO VIEWING WORKSTATIONS. SEE TS0.3 FOR ADDITIONAL REQUIREMENTS. COORDINATE MOUNTING LOCATION BELOW CONTROL ROOM DESK WITH EXISTING EQUIPMENT.
- 5 CAT 6 DATA DROPS FOR VIDEO VIEWING WORKSTATIONS. PROVIDE QTY (4) PLENUM CAT 6 CABLES FROM NETWORK CABINET IN PROPERTY STORAGE ROOM.
- 6 DATA OUTLET LOCATED INSIDE EQUIPMENT CABINET TO CONNECT VIDEO SURVEILLANCE SWITCH STACK TO DOUGLAS COUNTY NETWORK. INSTALL QTY (2) CAT 6 CABLES FROM OUTLET TO EXISTING NETWORK RACK IN TELEPHONE ROOM 156. COORDINATE EXACT TERMINATION LOCATION IN TELEPHONE ROOM 156 WITH DOUGLAS COUNTY IT.
- 7 2" HIGH X 12" WIDE X 1/4" THICK COPPER TELECOM BUS BAR WITH INSULATED STAND OFFS. MOUNT BUS BAR +/- 8'-0" AFF. INSTALL #3/0 AWG GREEN INSULATED BONDING CONDUCTOR FROM NEW GROUND BAR TO EXISTING GROUND BAR IN TELECOM ROOM 156 (SEE TS2.1 FOR LOCATION). INSTALL #3/0 AWG GREEN INSULATED BONDING CONDUCTOR FROM NEW GROUND BAR TO ELECTRICAL PANEL 'LB' GROUND. INSTALL #6 AWG GREEN INSULATED BONDING CONDUCTORS FROM GROUND BAR TO EQUIPMENT CABINET.
- 8 EQUIPMENT MOUNTING CABINET (SEE A/TS0.6). PROVIDE CONDUITS FROM TOP OF CABINET TO ACCESSIBLE CEILING SPACE FOR ROUTING OF CAT 6 CABLES. PROVIDE QTY OF CONDUITS TO ACCOMMODATE ALL CABLES AT 40% FILL PLUS 1 ADDITIONAL CONDUIT SPARE.
- 9 PROVIDE NEW DEDICATED 20A OUTLETS FOR PROPERTY STORAGE ROOM EQUIPMENT CABINET. PROVIDE NEW 20A BREAKERS IN PANEL 'LA'. UPDATE PANEL SCHEDULE TO INDICATE NEW CIRCUITS AS 'CCTV RACK'.



B JAIL CONTROL ROOM - ENLARGED PLAN - NEW WORK
 TS0.5 SCALE: 1/2" = 1'-0"



A JAIL CONTROL ROOM - ENLARGED PLAN - DEMOLITION
 TS0.5 SCALE: 1/2" = 1'-0"



PK Electrical, Inc.
 Engineering - Design - Consulting
 681 Sierra Rose Drive, Suite B
 Reno, NV 89512
 775.826.9010
 4601 DTC Boulevard, Suite 740
 Denver, CO 80237
 720.481.3290
 pkelectrical.com

NOT FOR CONSTRUCTION

Tahoe Justice Court / Jail
 Surveillance Camera Addition
 175 Highway 50
 Stateline, NV 89449

REVISIONS

NO.	DESCRIPTION

SHEET TITLE

CONTROL ROOM AND PROPERTY STORAGE ROOM ENLARGED PLANS

DRAWN: BC
 CHECKED: JEG
 DATE: 2/21/2023
 JOB NUMBER: 22083
 PROJECT MGR: BC

TS0.5



PK Electrical, Inc.

Engineering - Design - Consulting

681 Sierra Rose Drive, Suite B
Reno, NV 89512
775.826.9010

4601 DTC Boulevard, Suite 740
Denver, CO 80237
720.481.3290
pk-electrical.com

NOT FOR
CONSTRUCTION

Tahoe Justice Court / Jail
Surveillance Camera Addition
175 Highway 50
Stateline, NV 89449

REVISIONS

SHEET TITLE

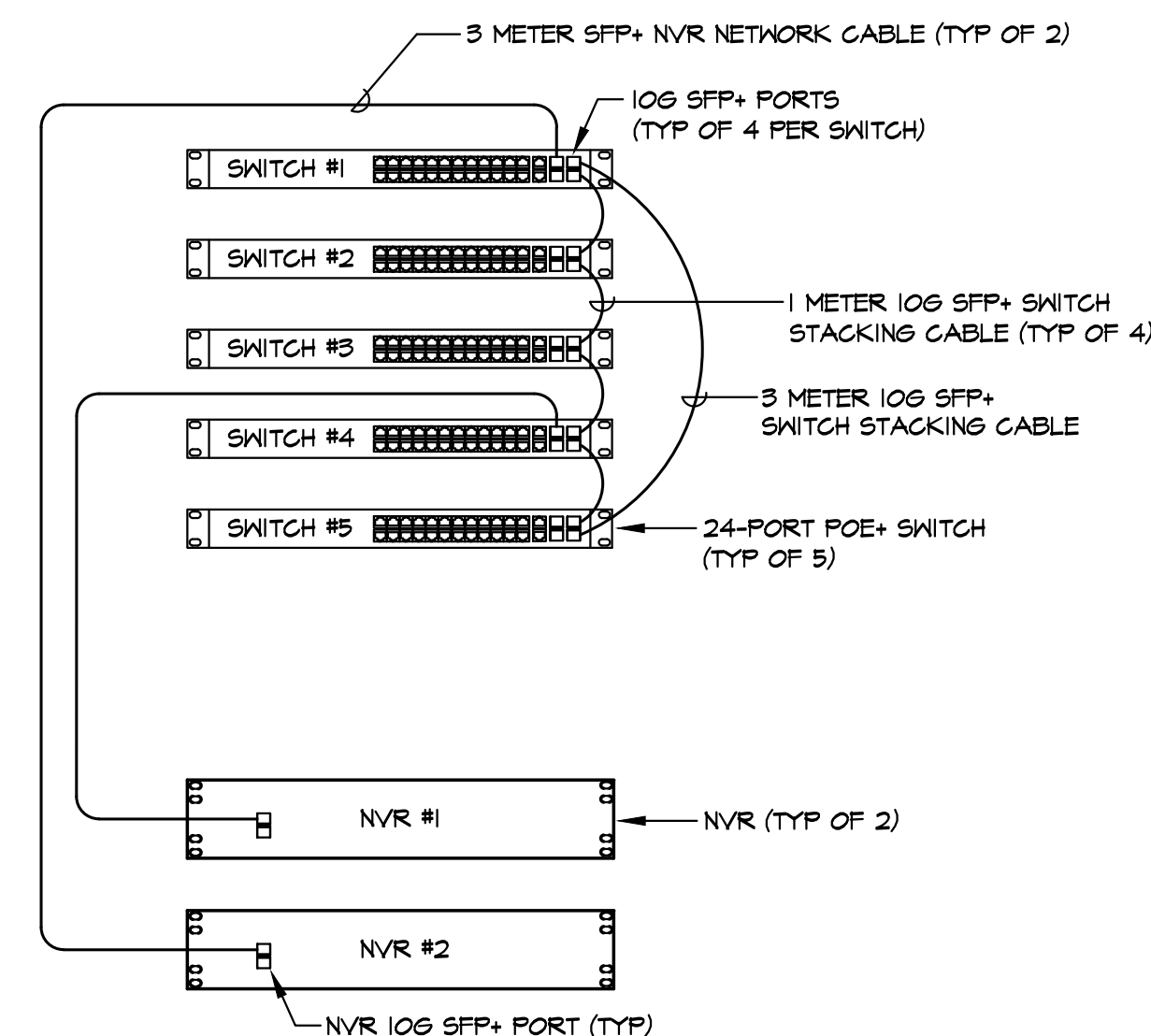
EQUIPMENT CABINET
ELEVATIONS AND
DEDICATED CAMERA
POLE

DRAWN: BC
CHECKED: JEG
DATE: 2/21/2023
JOB NUMBER: 22083
PROJECT MGR: BC

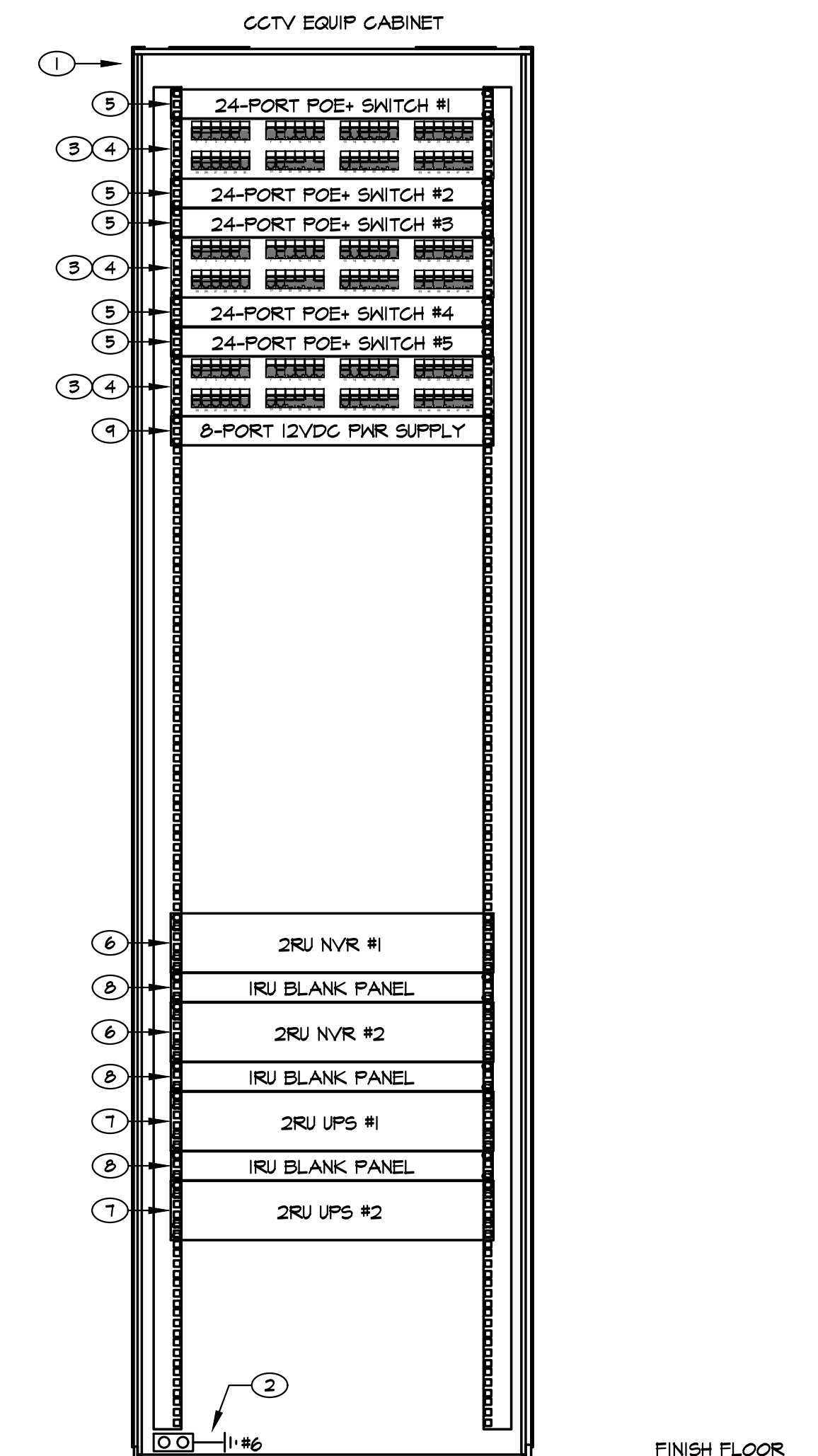
TS0.6

SHEET NOTES

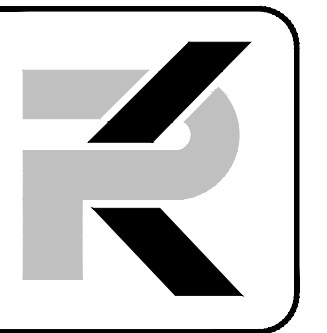
- ① 82.6" HIGH X 27.6" WIDE X 43.3" DEEP, 45RU EQUIPMENT CABINET WITH LOCKABLE PERFORATED FRONT AND REAR DOORS. BOLT CABINET TO CONCRETE FLOOR WITH QTY (4) 1/2" DIAMETER CONCRETE EXPANSION ANCHORS WITH MINIMUM 3 1/2" EMBEDMENT DEPTH.
- ② BOND EQUIPMENT CABINET TO GROUND BAR WITH #6 AWG GREEN INSULATED BONDING CONDUCTOR.
- ③ 2RU 48-PORT CAT 6 PATCH PANEL.
- ④ INSTALL QTY (1) 3'-0" CAT 6 PATCH CORD FOR EACH CAT 6 CABLE DROP TO CROSS-CONNECT CAT 6 PATCH PANEL PORTS TO NETWORK SWITCHES.
- ⑤ 1RU 24-PORT POE+ SWITCH (SEE TS0.2 FOR SWITCH REQUIREMENTS). INSTALL 10G SFP+ SWITCH STACKING CABLE (SEE DETAIL B/TS0.6 FOR 10G SWITCH STACKING REQUIREMENTS).
- ⑥ 2RU NETWORK VIDEO RECORDER (NVR). CONNECT EACH NVR TO NETWORK SWITCH WITH 10G SFP+ CABLE (SEE B/TS0.6). PROVIDE RACK RAIL MOUNTING KIT WITH EACH SERVER.
- ⑦ 2RU 2,200VA UPS. CONNECT EACH UPS TO SEPARATE DEDICATED 20A CKT. PROVIDE RACK RAIL MOUNTING KIT WITH EACH UPS.
- ⑧ 1RU METAL BLANKING PANEL.
- ⑨ 1RU 8-PORT 120VAC TO 12VDC POWER SUPPLY FOR CEILING MOUNTED MICROPHONES (ALTRONIX VERTILINE3D).



B NETWORK SWITCH STACKING CABLE DIAGRAM
TS0.6 SCALE: 1/2" = 1'-0"



A ENCLOSED EQUIP CABINET ELEVATION
TS0.6 SCALE: 1/2" = 1'-0"



PK Electrical, Inc.
Engineering - Design - Consulting

681 Sierra Rose Drive, Suite B
Reno, NV 89511
775.826.9010
4601 DTC Boulevard, Suite 740
Denver, CO 80237
720.481.3290
pklectrical.com

NOT FOR
CONSTRUCTION

Tahoe Justice Court / Jail
Surveillance Camera Addition
175 Highway 50
State Line, NV 89449

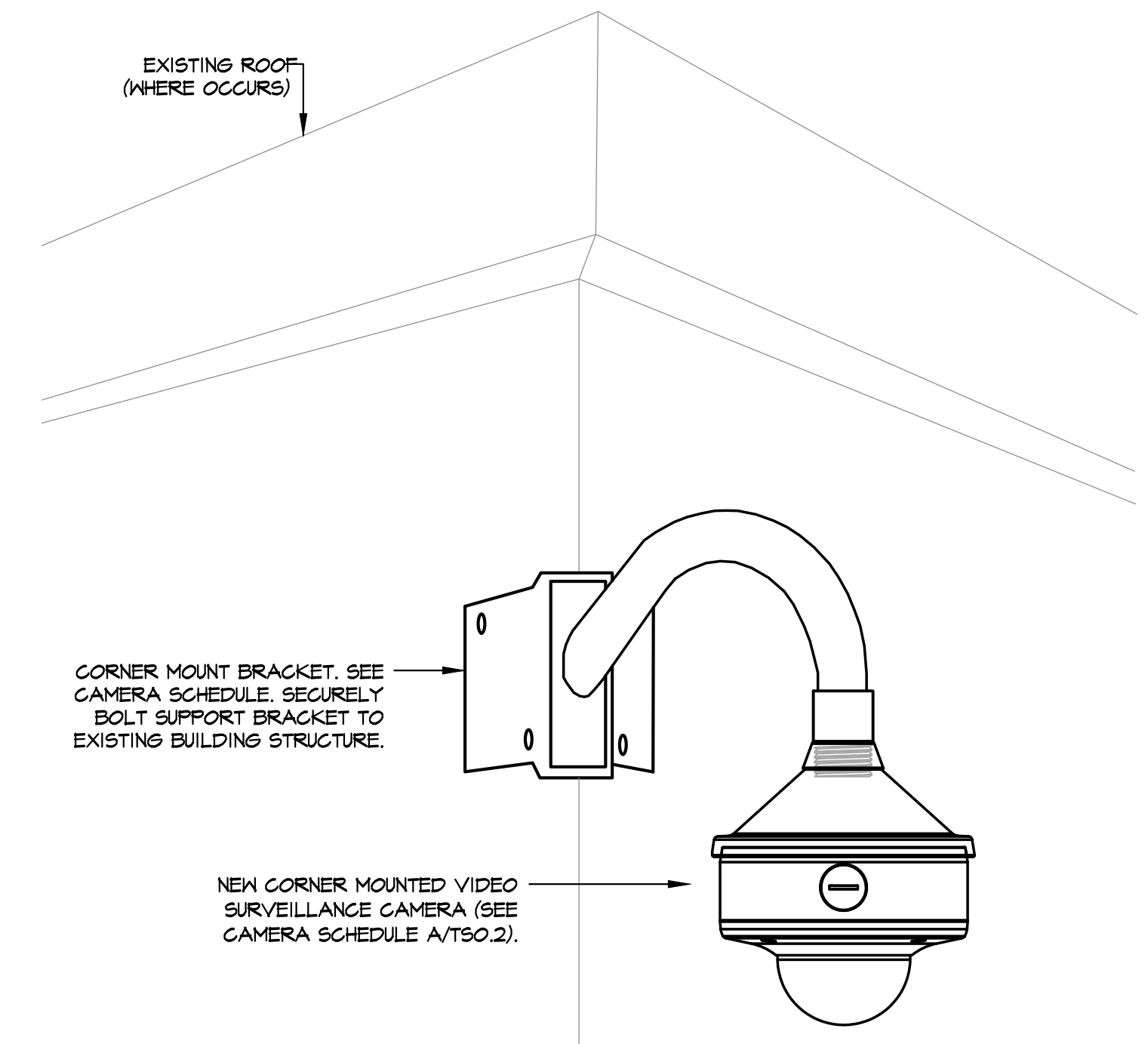
REVISIONS

SHEET TITLE

CAMERA MOUNTING
DETAILS

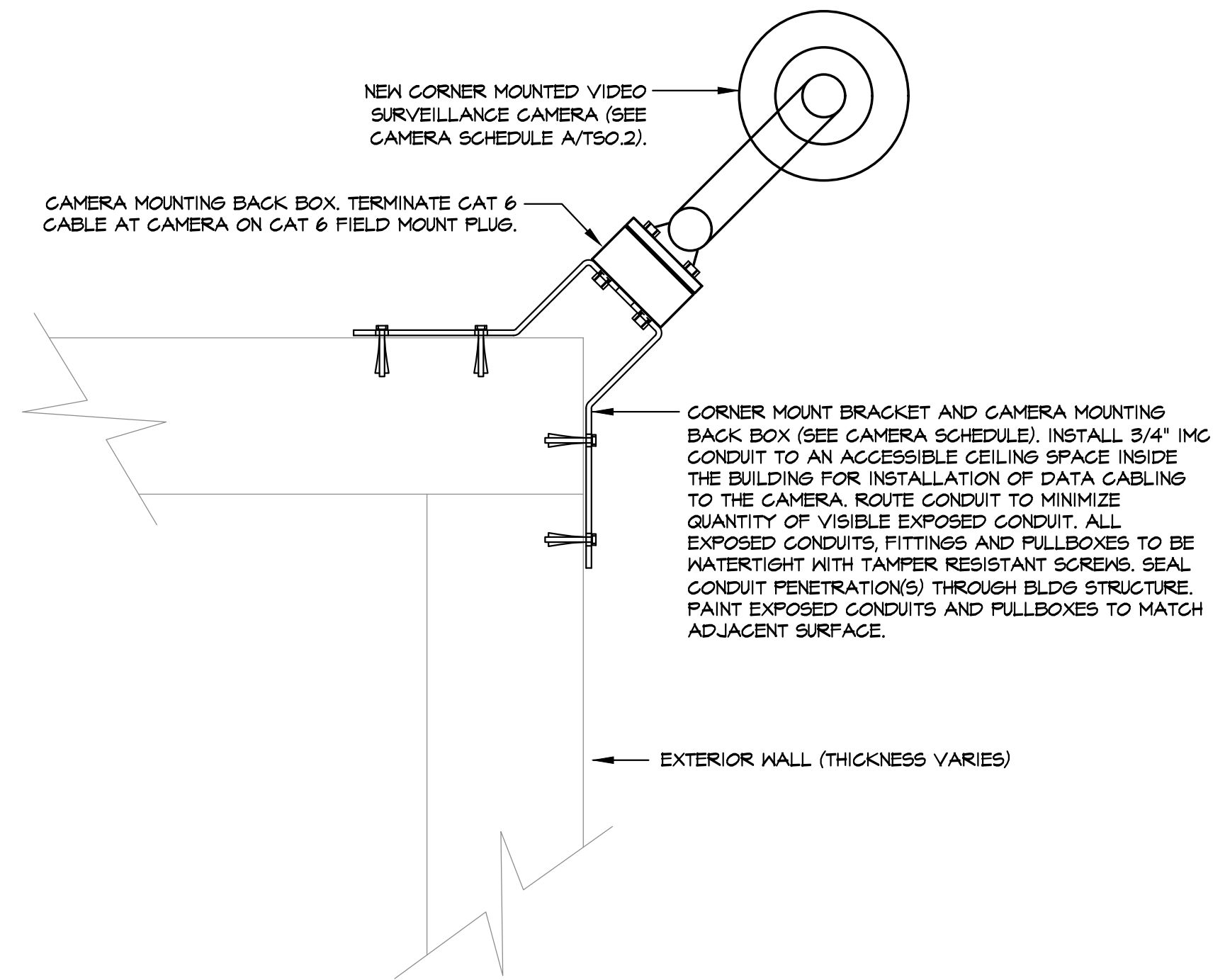
DRAWN: BC
CHECKED: JEG
DATE: 2/21/2023
JOB NUMBER: 22089
PROJECT MGR: BC

TS0.7



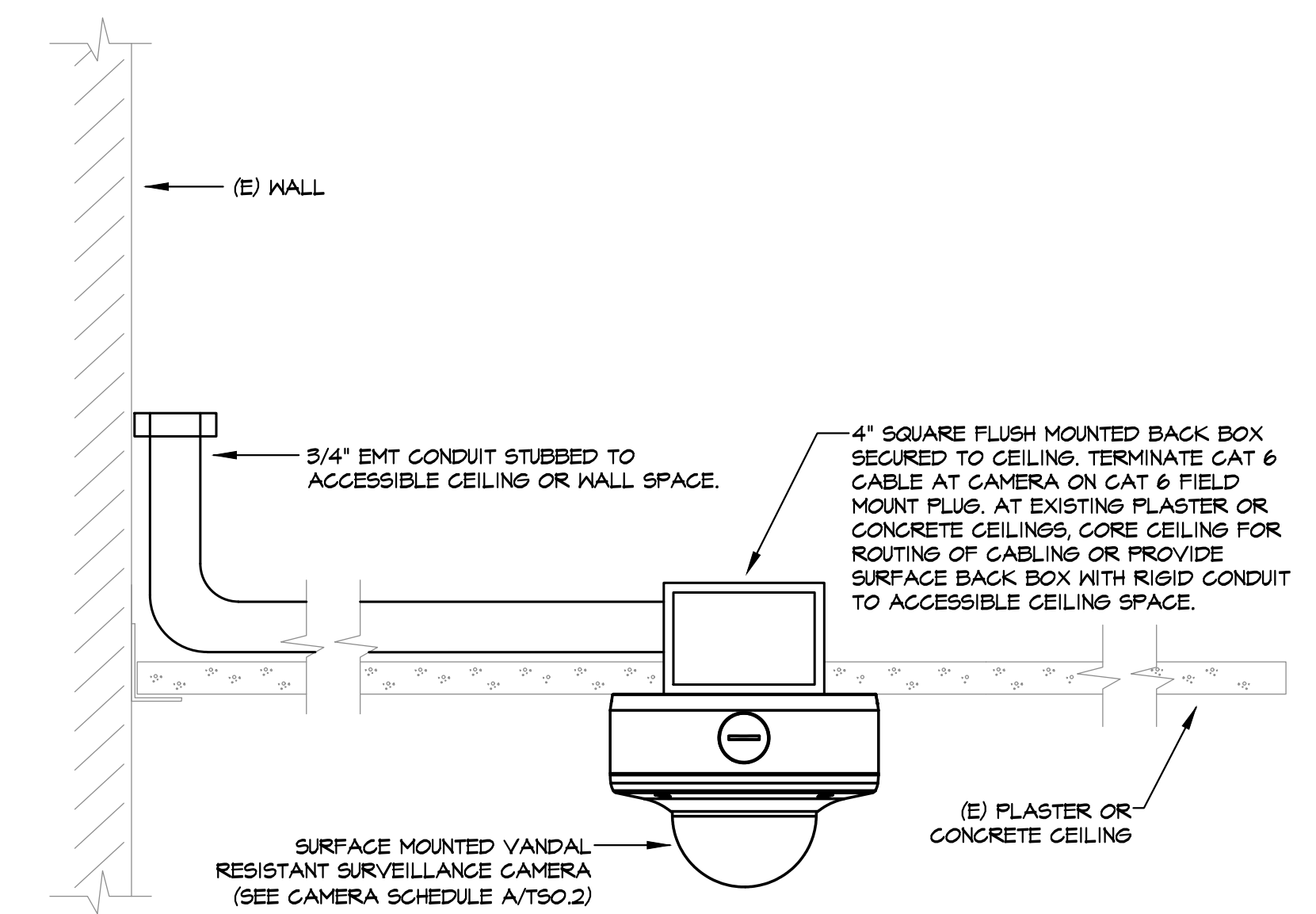
D CORNER MTD CAMERA (ELEV)

TS0.7 SCALE: NONE



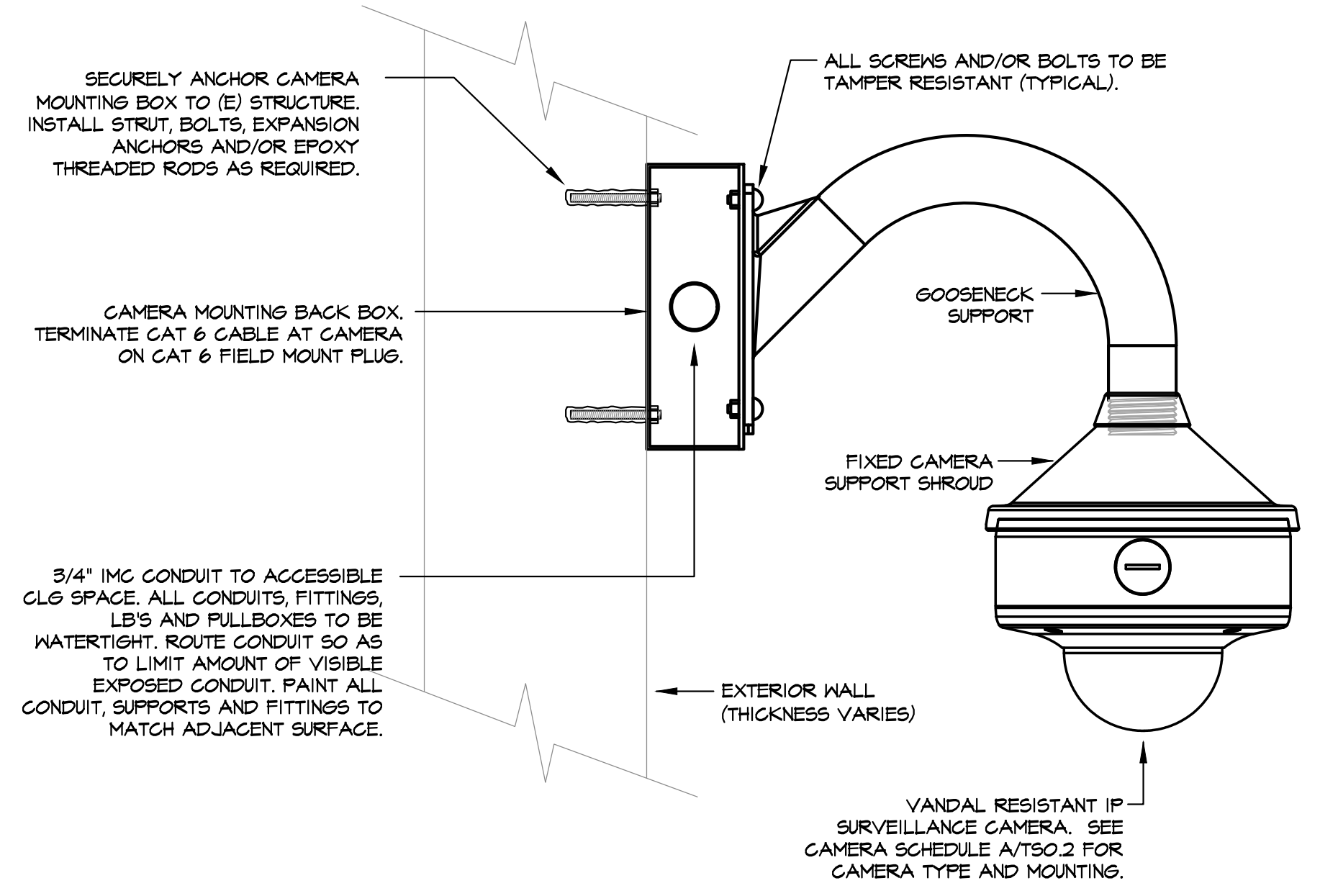
E CORNER MTD CAMERA (PLAN)

TS0.7 SCALE: NONE



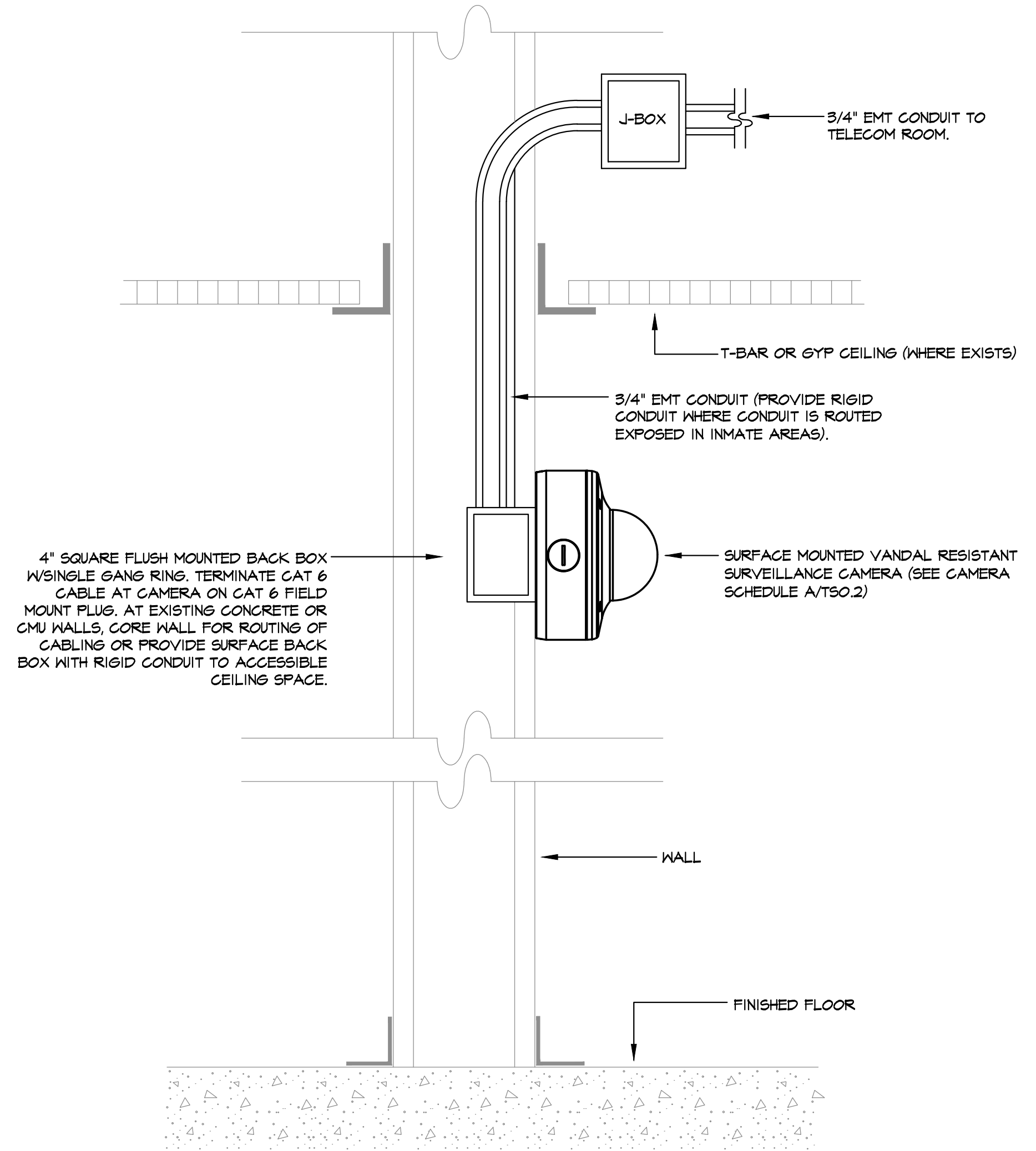
A SURFACE CEILING MOUNTED CAMERA

TS0.7 SCALE: NONE



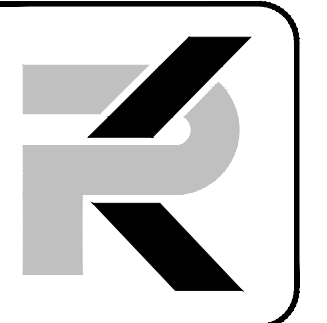
B EXTERIOR WALL MTD CAMERA

TS0.7 SCALE: NONE



C INDOOR WALL MOUNTED DOME CAMERA

TS0.7 SCALE: NONE



PK Electrical, Inc.
 Engineering - Design - Consulting
 681 Sierra Rose Drive, Suite B
 Reno, NV 89512
 775.826.9010
 4601 DTC Boulevard, Suite 740
 Denver, CO 80237
 720.481.3290
 pkelectrical.com

NOT FOR
 CONSTRUCTION

**Tahoe Justice Court / Jail
 Surveillance Camera Addition**
 175 Highway 50
 Stateline, NV 89449



- GENERAL NOTES**
1. THE EXISTING CAMERA SYSTEM MUST REMAIN OPERATIONAL UNTIL THE NEW CAMERA SYSTEM IS INSTALLED AND FULLY OPERATIONAL.
 2. AFTER THE NEW CAMERA SYSTEM IS OPERATIONAL, THE EXISTING CAMERA SYSTEM IN THE JLEC ADMIN BUILDING IS TO BE REMOVED IN ITS ENTIRETY INCLUDING CAMERAS, CAMERA MOUNTS AND CABLING.
 3. PATCH HOLES IN WALLS AND CEILINGS READY FOR PAINTING WHERE CAMERAS REMOVED. PAINTING BY OWNER.

REVISIONS

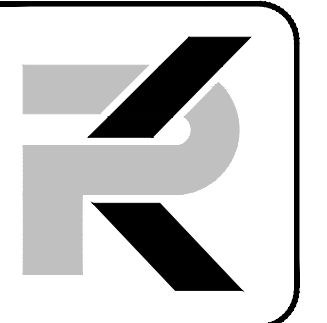
NO.	DESCRIPTION

SHEET TITLE
 FIRST FLOOR CAMERA PLAN - DEMOLITION

DRAWN: BC
 CHECKED: JEG
 DATE: 2/21/2023
 JOB NUMBER: 22089
 PROJECT MGR: BC

A FIRST FLOOR CAMERA PLAN - DEMOLITION
 TS1.1 SCALE: 1/8" = 1'-0"

TS1.1



PK Electrical, Inc.
Engineering - Design - Consulting

681 Sierra Rose Drive, Suite B
Reno, NV 89511
775.826.9010
4601 DTC Boulevard, Suite 740
Denver, CO 80237
720.481.3290
pklectrical.com

NOT FOR
CONSTRUCTION

Tahoe Justice Court / Jail
Surveillance Camera Addition
175 Highway 50
State Line, NV 89449

REVISIONS

SHEET TITLE

SECOND FLOOR CAMERA
PLAN - DEMOLITION

DRAWN:	BC
CHECKED:	JEG
DATE:	2/21/2023
JOB NUMBER:	22083
PROJECT MGR:	BC

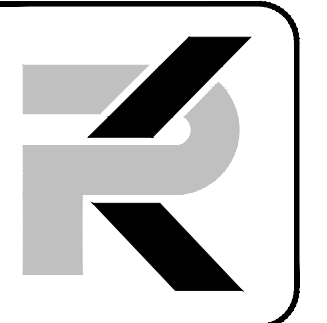
TS1.2



- GENERAL NOTES**
1. THE EXISTING CAMERA SYSTEM MUST REMAIN OPERATIONAL UNTIL THE NEW CAMERA SYSTEM IS INSTALLED AND FULLY OPERATIONAL.
 2. AFTER THE NEW CAMERA SYSTEM IS OPERATIONAL, THE EXISTING CAMERA SYSTEM IN THE JLEC ADMIN BUILDING IS TO BE REMOVED IN ITS ENTIRETY INCLUDING CAMERAS, CAMERA MOUNTS AND CABLING.
 3. PATCH HOLES IN WALLS AND CEILINGS READY FOR PAINTING WHERE CAMERAS REMOVED. PAINTING BY OWNER.

A SECOND FLOOR CAMERA PLAN - DEMOLITION

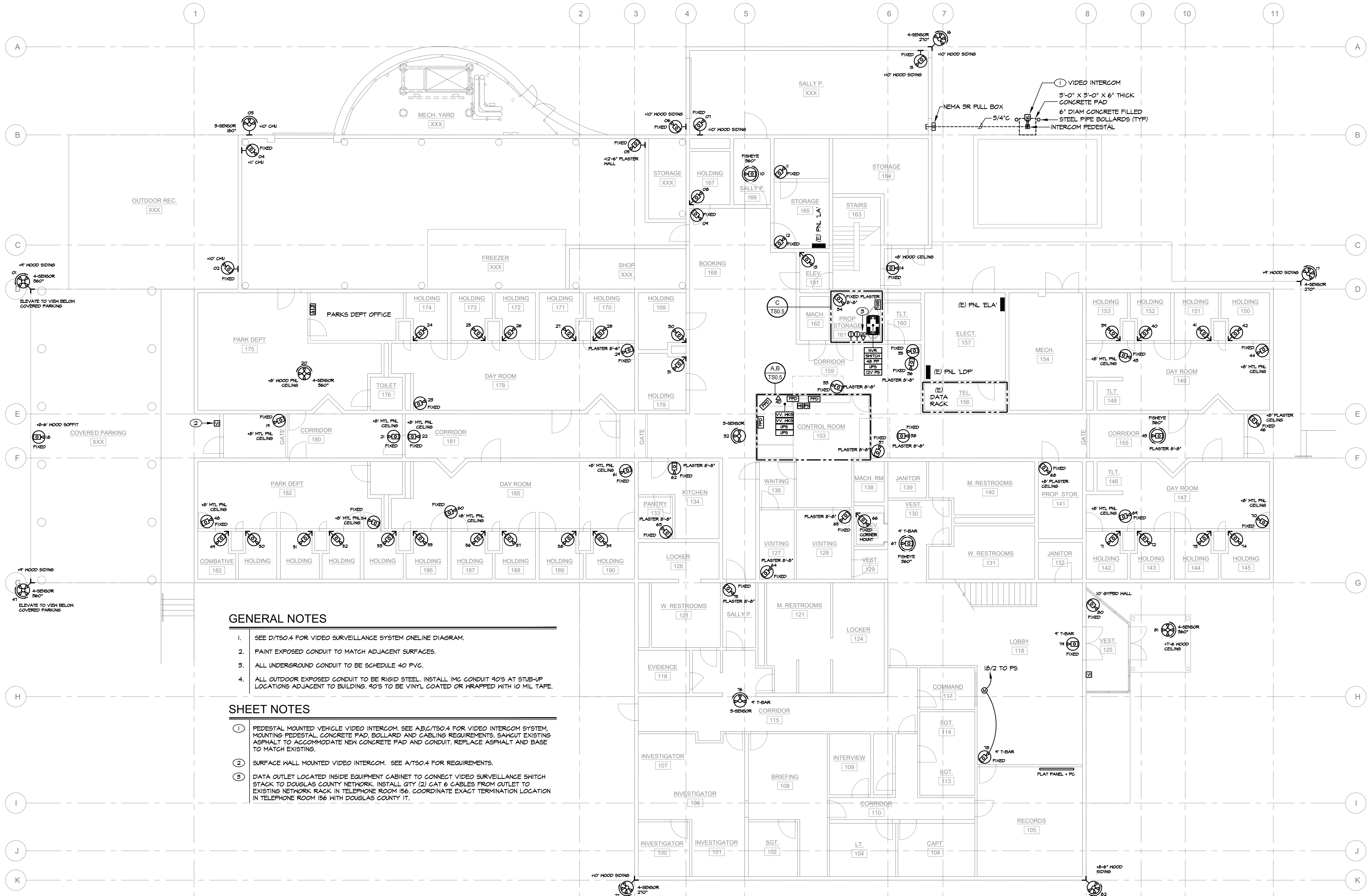
TS1.2 SCALE: 1/8" = 1'-0"



PK Electrical, Inc.
 Engineering - Design - Consulting
 681 Sierra Rose Drive, Suite B
 Reno, NV 89512
 775.826.9010
 4601 DTC Boulevard, Suite 740
 Denver, CO 80237
 720.481.3290
 pkelectrical.com

NOT FOR
 CONSTRUCTION

**Tahoe Justice Court / Jail
 Surveillance Camera Addition**
 175 Highway 50
 Stateline, NV 89449



- GENERAL NOTES**
- SEE D/TSO.4 FOR VIDEO SURVEILLANCE SYSTEM ONLINE DIAGRAM.
 - PAINT EXPOSED CONDUIT TO MATCH ADJACENT SURFACES.
 - ALL UNDERGROUND CONDUIT TO BE SCHEDULE 40 PVC.
 - ALL OUTDOOR EXPOSED CONDUIT TO BE RIGID STEEL. INSTALL IMC CONDUIT 90'S AT STUB-UP LOCATIONS ADJACENT TO BUILDING. 90'S TO BE VINYL COATED OR WRAPPED WITH 10 MIL TAPE.

- SHEET NOTES**
- PEDESTAL MOUNTED VEHICLE VIDEO INTERCOM. SEE A/B/C/TSO.4 FOR VIDEO INTERCOM SYSTEM MOUNTING PEDESTAL, CONCRETE PAD, BOLLARD AND CABLING REQUIREMENTS. SAWCUT EXISTING ASPHALT TO ACCOMMODATE NEW CONCRETE PAD AND CONDUIT. REPLACE ASPHALT AND BASE TO MATCH EXISTING.
 - SURFACE WALL MOUNTED VIDEO INTERCOM. SEE A/TSO.4 FOR REQUIREMENTS.
 - DATA OUTLET LOCATED INSIDE EQUIPMENT CABINET TO CONNECT VIDEO SURVEILLANCE SWITCH STACK TO DOUGLAS COUNTY NETWORK. INSTALL QTY (2) CAT 6 CABLES FROM OUTLET TO EXISTING NETWORK RACK IN TELEPHONE ROOM 156. COORDINATE EXACT TERMINATION LOCATION IN TELEPHONE ROOM 156 WITH DOUGLAS COUNTY IT.

A FIRST FLOOR CAMERA PLAN - NEW WORK
 TS2.1 SCALE: 1/8" = 1'-0"

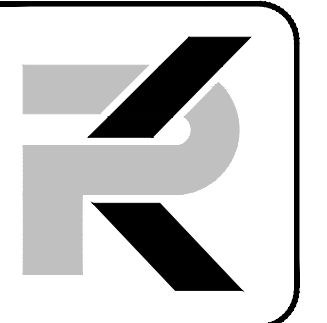
REVISIONS

NO.	DESCRIPTION	DATE

SHEET TITLE
 FIRST FLOOR CAMERA PLAN - NEW WORK

DRAWN: BC
 CHECKED: JEG
 DATE: 2/21/2023
 JOB NUMBER: 22083
 PROJECT MGR: BC

TS2.1



PK Electrical, Inc.
Engineering - Design - Consulting

681 Sierra Rose Drive, Suite B
Reno, NV 89511
775.826.9010
4601 DTC Boulevard, Suite 740
Denver, CO 80237
720.481.3290
pk-electrical.com

NOT FOR
CONSTRUCTION

Tahoe Justice Court / Jail
Surveillance Camera Addition
175 Highway 50
State Line, NV 89449

REVISIONS

SHEET TITLE

SECOND FLOOR CAMERA
PLAN - NEW WORK

DRAWN: BC
CHECKED: JEG
DATE: 2/21/2023
JOB NUMBER: 22083
PROJECT MGR: BC

TS2.2



GENERAL NOTES

- 1. SEE D/TSO.4 FOR VIDEO SURVEILLANCE SYSTEM ONLINE DIAGRAM.

A SECOND FLOOR CAMERA PLAN - NEW WORK
TS2.2 SCALE: 1/8" = 1'-0"